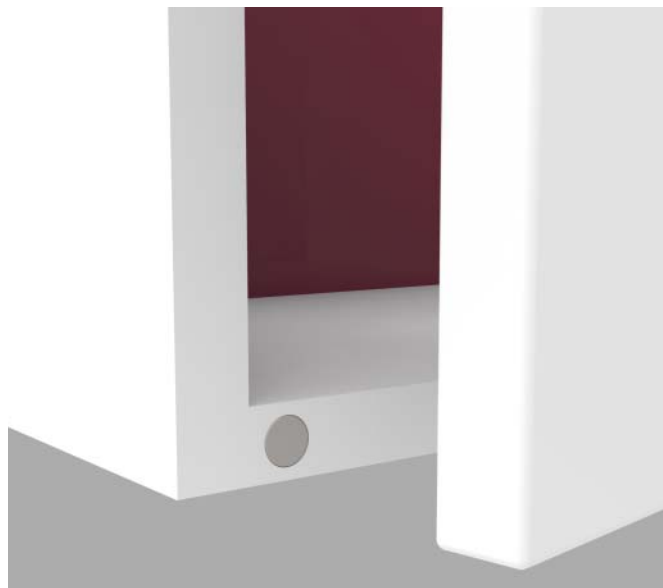


CATCHES

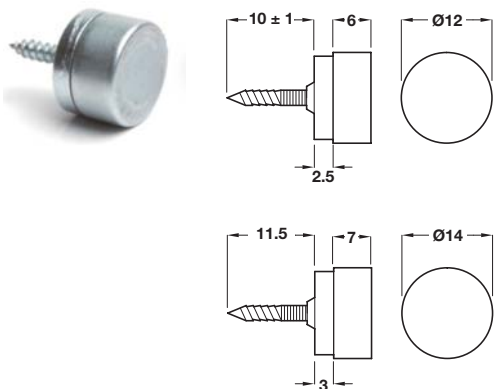
FLUSH MAGNETIC CATCHES

An elegant solution.

- > These high quality magnetic catches are:
 - Concealed from view
 - Constructed to provide a flush fit to any door or frame
 - Able to hold in-frame doors securely and quietly
- > The catches can be mounted within the woodwork so they are just visible, or mounted sub-flush so they can be totally invisible after filling and finishing
- > With any magnets the greater the gap between them the weaker the attractive force will become.
- > For best results we recommend **all** flush magnets are bonded into their fixing hole with a suitable contact adhesive



Elite magnetic catch, screw fixing

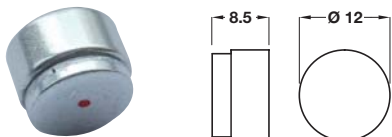


- > Magnet to be glued into a hole:
 - 2 kg pull version to be glued into a Ø 12 hole
 - 4 kg pull version to be glued into a Ø 14 hole
- > For a minimum wood thickness of 19 mm (unless the screw is removed)
- > One set consists of:
 - 1x North magnet
 - 1x South magnet
- > Neodymium
- > Order qty: Multiples of 5 sets



Pull (approx.)	2 kg	4 kg
Finish	Cat. No.	
Nickel	246.24.600	246.24.601

Elite magnetic catch, push fix



- > Magnet to be glued into Ø 12 mm hole
- > For a minimum wood thickness of 10 mm
- > North half - Door mounting
- > South half - Cabinet mounting
- > Neodymium
- > Order qty: Multiples of 10 pcs



> For suitable adhesives to fix these magnets see pages 471-472

Magnet type	North	South
Finish	Cat. No.	
Nickel	246.24.605	246.24.606

COMPONENTS, FIXINGS AND CONSUMABLES 2014, © Häfele U.K. Ltd 2014. Dimensional data not binding. We reserve the right to alter specifications without notice.