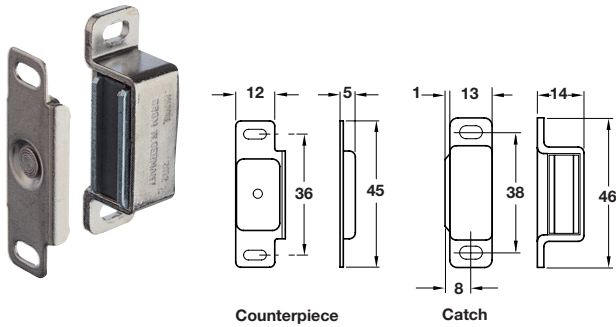
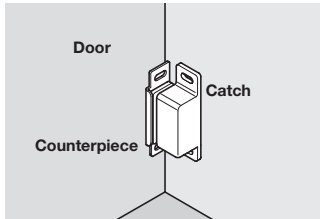


## Magnetic catch, screw fixing



Counterpiece

Catch



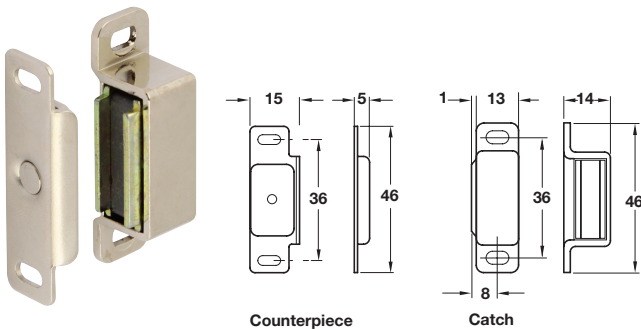
> Order catch and counterpiece separately

- > Catch and counterpiece must be ordered separately
- > Screw fixing
- > Catch: Fixed  
Zinc alloy
- > Counterpiece: Floating with anti swivel rim  
Metal
- > Order qty: Multiples of 10 pcs



Pull (approx)	4 kg	
Finish	Catch	Counterpiece
Nickel-plated	246.94.701	246.94.702
Gold coloured	246.94.801	246.94.802

## Magnetic catch, screw fixing



Counterpiece

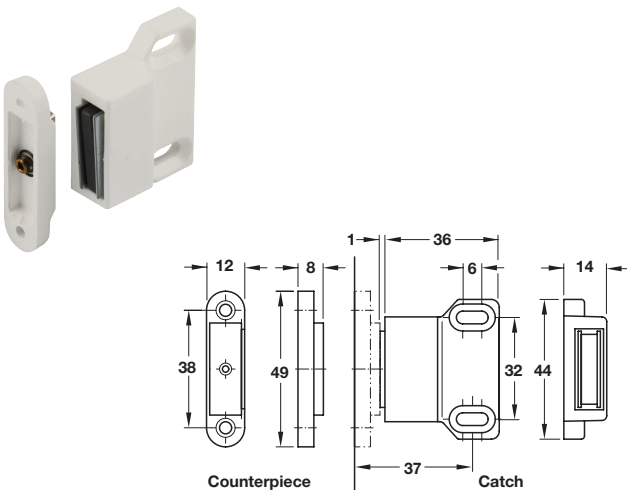
Catch

- > Catch: Fixed  
Counterpiece: Floating
- > Screw fixing
- > Steel
- > Order qty: 1 pc



Pull (approx.)	6 kg	
Finish	Cat. No.	
Nickel-plated	246.16.700	
Electro brassed	246.16.100	

## Magnetic catch, screw fixing



Counterpiece

Catch

- > Catch: Floating
- > Counterpiece: Floating
- > Plastic catch and counterpiece
- > Order qty: Multiples of 50 pcs



Pull (approx)	3-4 kg	4-5 kg
Finish	Cat. No.	
White	246.11.701	246.17.703