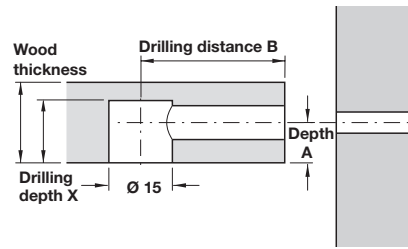




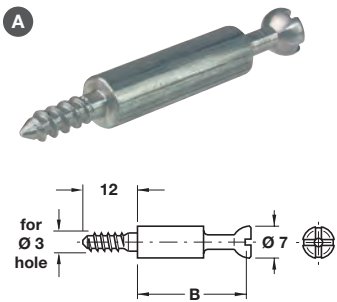
IXCONNECT MINIFIX S100 STANDARD BOLTS


- > Minifix connecting bolts **A** with special thread can be screwed directly into a $\varnothing 3$ mm pre-drilled hole or can be used in conjunction with a dowel which is pressed into a $\varnothing 5$ mm pre-drilled hole
- > Minifix connecting bolts **B** with special threads can be screwed directly into a $\varnothing 5$ mm pre-drilled hole
- > For single or double-sided constructions



-  **Cross slot**
Tighten with PZ2 screwdriver only (cross slot size 2)
-  **Combination slot**
Tighten with PZ2 screwdriver or flat bladed screwdriver

Minifix S100 connecting bolt

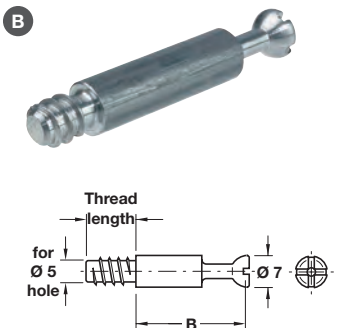



-  > Expanding sleeves and dowels for $\varnothing 5$ mm holes are shown on pages **419-421**

- > For direct, screw-in installation in $\varnothing 3$ mm holes or for press-fit installation in $\varnothing 5$ mm holes when used with dowels
- > With special thread
- > Steel
- > Order qty: Multiples of 100 pcs

Drilling distance B	24 mm	34 mm
Bright	-	262.28.017
Galvanized	262.27.912	262.28.919

Minifix S100 connecting bolt



-  > Screw in sleeves and dowels with M6 internal thread are shown on page **420**

- > For direct, screw-in installation in $\varnothing 5$ mm holes
- > With special thread
- > Steel
- > Order qty: Multiples of 100 pcs

Drilling distance B	24 mm	34 mm
Thread length 8 mm		
Bright	262.27.020	262.28.020
Galvanized	262.27.920	262.28.920
Thread length 10 mm		
Bright	-	262.28.008
Thread length 11 mm		
Bright	262.27.029	-
Galvanized	262.27.921	262.28.928
Thread length 15 mm		
Bright	262.27.234	262.28.231
Galvanized	262.27.832	262.28.839