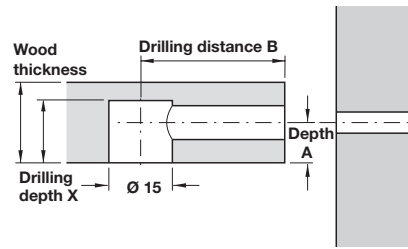


IXCONNECT MINIFIX STANDARD S200 BOLTS

- > Minifix S200 bolts with $\varnothing 6.5$ mm bolt head and swivelling sleeve, ring on bolt shaft holds plastic sleeve in place
- > Minifix connecting bolts **A** and **B**:
With harpoon-type thread are for screw-in installation in $\varnothing 5$ mm pre-drilled holes
- > Minifix connecting bolts **C**:
With M6 thread are used in conjunction with sleeves or dowels in $\varnothing 8$ mm or $\varnothing 10$ mm pre-drilled holes

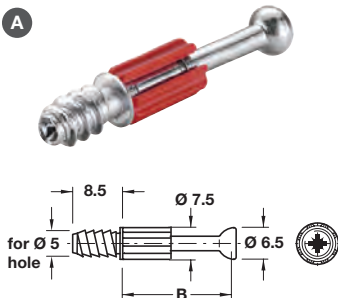


Cross slot
Tighten with PZ2 screwdriver only (cross slot size 2)



Combination slot
Tighten with PZ2 screwdriver or flat bladed screwdriver

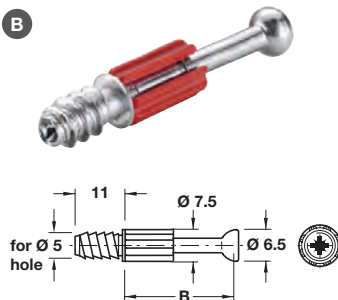
Minifix S200 connecting bolt



- > For screw-in installation in $\varnothing 5$ mm holes
- > Special thread
- > Steel with red plastic sleeve
- > Order qty: Multiples of 100 pcs

Drilling distance B	34 mm
Bright	262.28.680

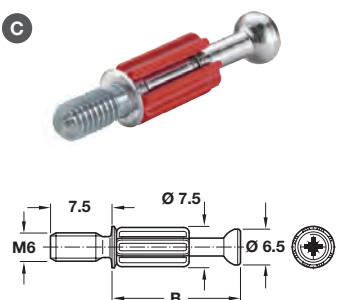
Minifix S200 connecting bolt



- > For screw-in installation in $\varnothing 5$ mm holes
- > Special thread
- > Steel with red plastic sleeve
- > Order qty: Multiples of 100 pcs

Drilling distance B	24 mm	34 mm
Bright	262.27.670	262.28.670
Galvanized	262.27.679	262.28.679

Minifix S200 connecting bolt



- > With M6 thread for screwing into sleeves or dowels for installation in $\varnothing 8$ mm or $\varnothing 10$ mm holes
- > Steel with red plastic sleeve
- > Order qty: Multiples of 100 pcs

Drilling distance B	34 mm
Bright	262.28.690



> Screw in sleeves and dowels with M6 internal thread are shown on page **420**