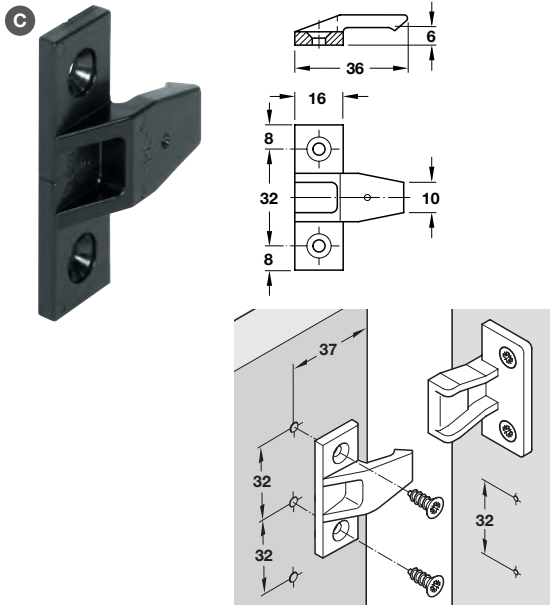


## Frame component AS

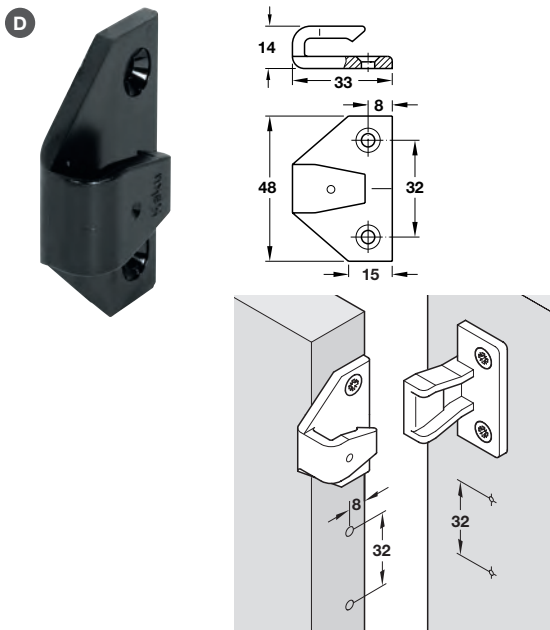


- > Screw fixing with Hospa or Varianta screws
- > Max load capacity of pair of fittings is 20 kg
- > Black Makrolon
- > Order qty: Multiples of 50 pcs



Mounting with	Cat. No.
Hospa screws	262.50.368
Varianta screws	262.50.377

## Frame component ASR



- > Screw fixing with Hospa or Varianta screws
- > Max load capacity of pair of fittings is 20 kg
- > Black Makrolon
- > Order qty: Multiples of 50 pcs



Mounting with	Cat. No.
Hospa screws	262.50.390
Varianta screws	262.50.391

## AS Push-fit fasteners sets



- > Consists of:
  - 1x Panel component A
  - 1x Frame component C
- > For mounting with Hospa or Varianta screws
- > Order qty: Multiples of 50 pairs



Components	Cat. No.
A 262.50.359 + C 262.50.368	262.50.313
A 262.50.359 + C 262.50.377	262.50.322
A 262.50.358 + C 262.50.377	262.50.340