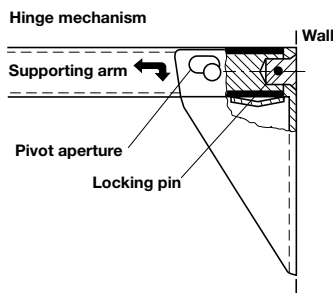
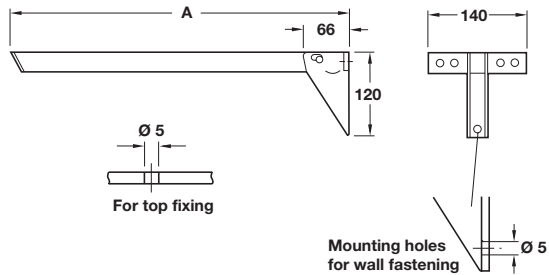


Tikla folding table bracket



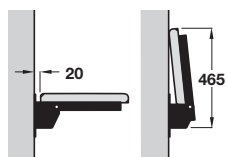
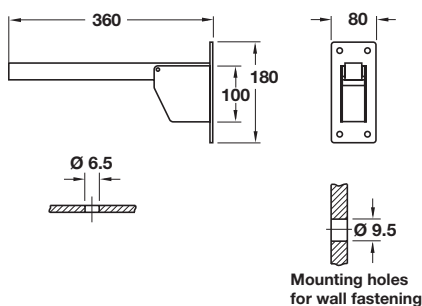
To raise: Bring the supporting arm upwards to horizontal position. Press backwards to lock the supporting arm in the pivot aperture

To fold down: Slightly raise the arm, the bolts in the pivot aperture unlock. The arm is pulled forward (approx. 10 mm) this disengages the locking pin. Fold down

- > Suitable for work surfaces and benches
- > With hinge mechanism
- > Screw fixing
- > Load carrying capacity 100 kg per pair
- > Brown plastic coated steel
- > Order qty: Multiples of 2 pcs

Dim. A	Cat. No.
360 mm	287.48.110
460 mm	287.48.129
560 mm	287.48.138
660 mm	287.48.147

Tikla folding bench bracket



- > Suitable for benches
- > Screw fixing
- > Load carrying capacity 400 kg per pair
- > Bright galvanized steel
- > Order qty: 1 pc (1 pc = 1 bracket)

Bracket length	Cat. No.
360 mm	287.53.936