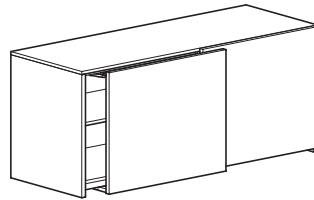
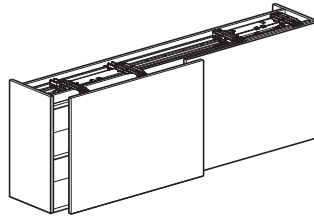


EKU-FRONTINO 20 FLUSH SLIDING DOOR SYSTEM

Flush sliding or coplanar system for pairs of cabinet doors. Three sets available to suit variable cabinet sizes. For top or bottom cabinet mounting. Ideal for kitchen, bathroom and other quality cabinet designs.

- > EKU-FRONTINO 20
- > Range:
 - Max. door weight **20 kg**
 - For door thicknesses **19-25* mm**
 - Max. door height **1200 mm**
 - Door width **600-1200 mm**
 - Installation depth **230 mm**
- > *Gap between doors increases if door thickness more than 19 mm. For example:

Door thickness	Gap between doors
19 mm	4 mm
22 mm	4 mm
25 mm	5 mm
- > Recommended handle height: Max. 35 mm distance from handle to door edge
- > EKU Frontino 20 can be installed as a bottom rolling system, with roller carriages mounted underneath the cabinet

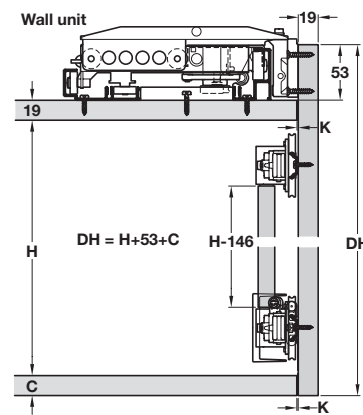


> An online planning tool is available at www.eku.ch

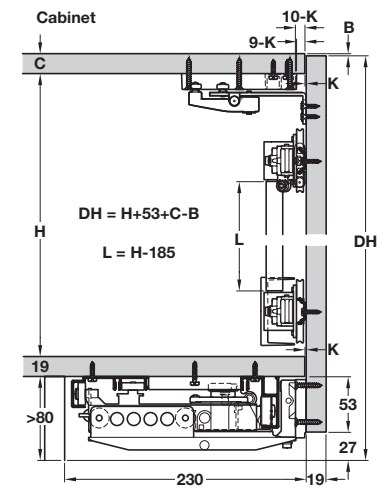
> Tracks and fitting sets must be ordered separately, shown below and on page **259**

> For bottom rolling system guide track and guide set must be ordered separately, shown on page **259**

EKU Frontino 20 top rolling

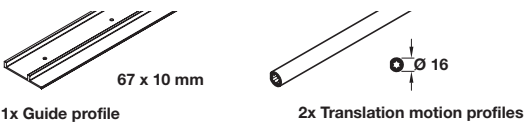


EKU Frontino 20 bottom rolling



EKU-FRONTINO 20 track set

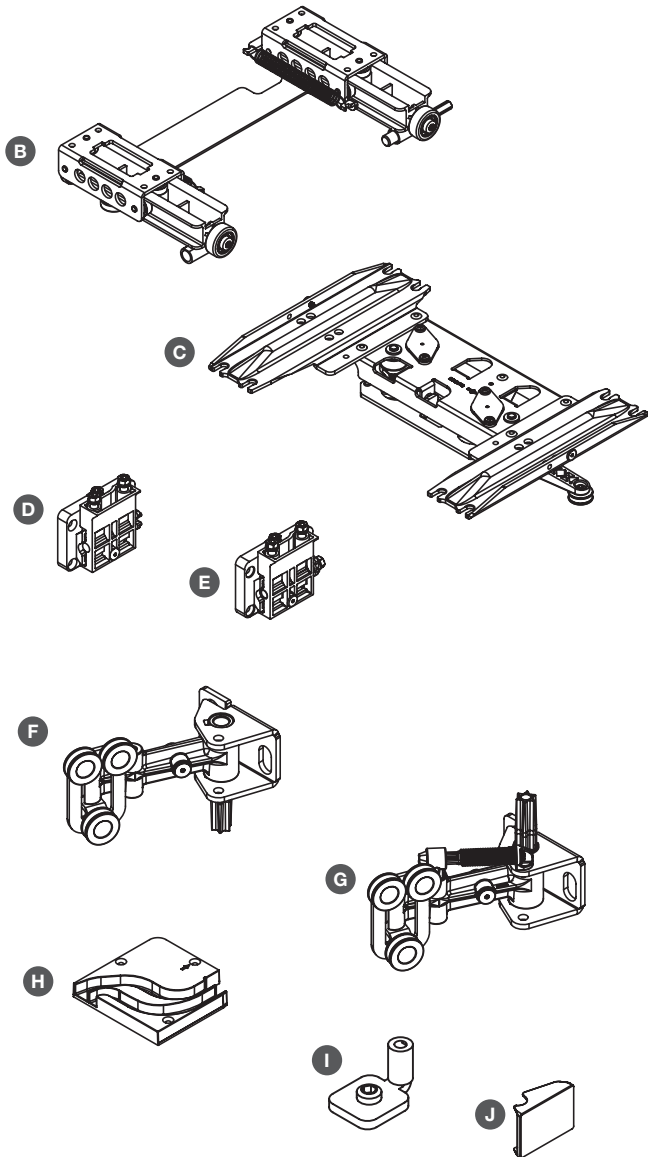
A Set includes



- > Three sizes of tracks and fitting sets:
 - 1.8 m tracks for cabinet width 1200-1799 mm
 - 2.2 m tracks for cabinet width 1800-2199 mm
 - 2.4 m tracks for cabinet width 2200-2400 mm
- > With screw holes
- > Anodised aluminium
- > Order qty: 1 set

	For cabinet width 1200-1799 mm	1800-2199 mm	2200-2400 mm
Track length	1.8 m	2.2 m	2.4 m
A Track set	406.02.610	406.02.611	406.02.612

EKU-FRONTINO 20 fitting set for two doors



> Fitting set includes:

- B Running gear, left and right handed, zinc coated steel
 - C Adjustment lever, left and right handed, zinc coated steel
 - D Front fixation, non-adjustable, plastic
 - E Front fixation, left and right handed, adjustable, plastic
 - F Closing unit, without spring, left and right handed, zinc coated steel
 - G Closing unit, with spring, left and right handed, zinc coated steel
 - H Guide curve, left and right handed, plastic
 - I Adjustment lever follower, plastic
 - J Cover cap to closing unit, plastic
- > Order qty: 1 set



Item	For 2 doors		
B Running gear	1 pair		
C Adjustment levers	1 pair		
D Front fixation, non-adjustable	2 pcs		
E Front fixation, adjustable	1 pair		
F Closing units, without spring	1 pair		
G Closing units, with spring	1 pair		
H Guide curves	1 pair		
I Adjustment lever follower	4 pcs		
J Cover cap	4 pcs		
For cabinet width (mm)	1200-1799	1800-2199	2200-2400
Cat. No.	406.02.023	406.02.024	406.02.025



> Sold as 2 door sets only, but 2 single door cabinets can be made from these sets

EKU-FRONTINO 20 additional fittings for bottom running system



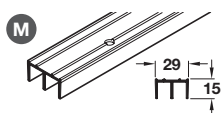
> Bottom running set consists of:

- K Guide bracket, left and right handed, zinc coated steel
 - L Control template, left and right handed, plastic
- > Order qty: 1 set



Item	For 2 doors
K Guide brackets	1 pair
L Control templates	1 pair
Cat. No.	406.02.400

EKU-FRONTINO 20 bottom running track set for two doors



- > Double guide track with screw holes, anodised aluminium
- > Order qty: 1 set

Length	1.8 m	2.2 m	2.4 m
M Guide track	406.02.800	406.02.801	406.02.802