

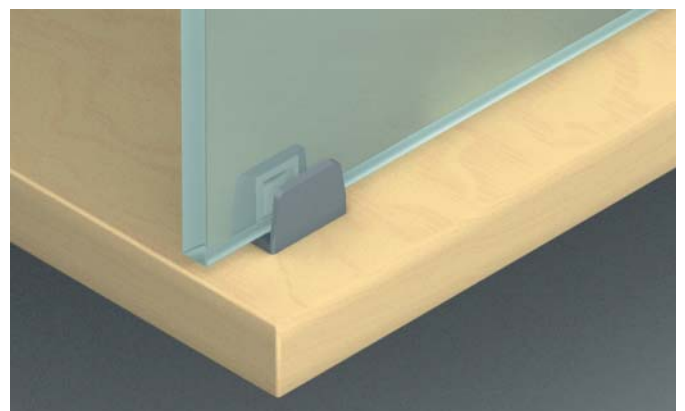
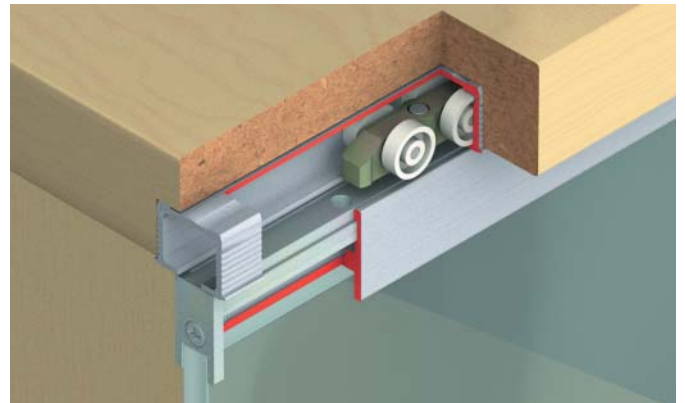
EKU-CLIPO 35 GPK/GPKK SLIDING GLASS DOOR SYSTEM

Inset single and double parallel sliding glass panels with frame profile, for high quality work.

- > EKU-CLIPO 35 GPK/GPKK Inside
- > Range:
 - Max. door weight **35 kg**
 - Glass door thickness **6-8 mm**
 - Clipo 35 GK - aluminium glass fixing frame at top only and surface fixed guide at base
 - Clipo 35 GKK - frame at top and bottom of panel
- > Height adjustment ± 2 mm on running gear

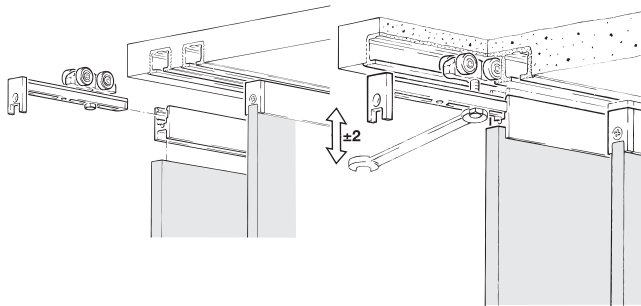


CLIPO 35 GPKK



CLIPO 35 GPK

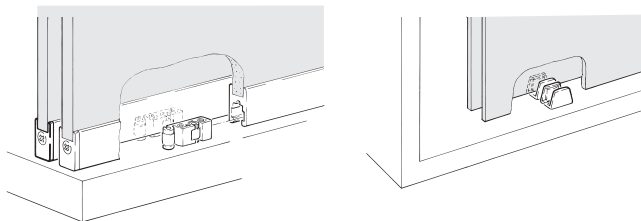
Running gear and top glass fixing profile installation



Installation reference

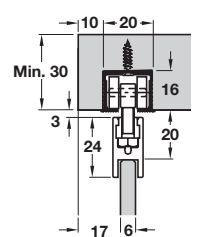
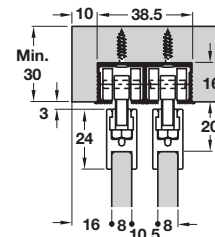
Length = internal cabinet width - 50 mm

Bottom glass fixing profile installation

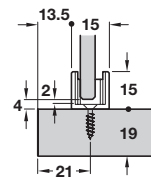
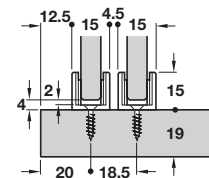


- > Tracks, profiles and glue are not included in the fitting set and must be ordered separately, shown on page **267**

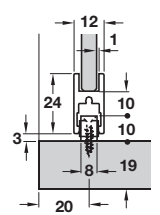
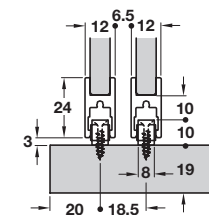
CLIPO 35 GPK
CLIPO 35 GPKK



CLIPO 35 GPK

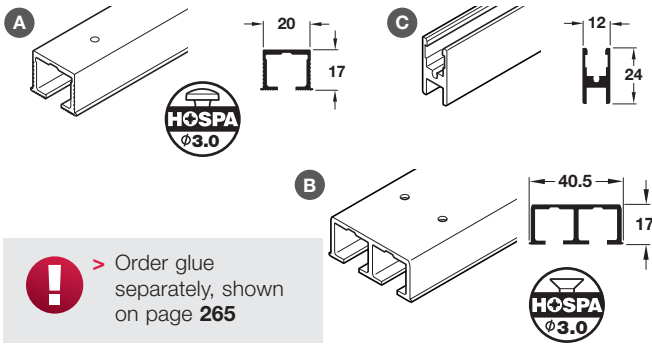


CLIPO 35 GPKK



SLIDING DOOR FITTINGS 2014, © Hafele U.K. Ltd 2014. Dimensional data not binding. We reserve the right to alter specifications without notice.

EKU-CLIPO 35GPK and 35GPKK tracks and profiles



! > Order glue separately, shown on page 265

- > Tracks A and B for min. 30 mm thick upper carcass
- A Single top track, with screw holes for soffit fixing into a groove, bright aluminium
- B Double top track, with screw holes for soffit fixing into a groove, bright aluminium
- C Frame profile, glue to glass, silver anodised aluminium

Item	2.5 m	3.5 m
A Single top track	405.00.250	405.00.350
B Double top track	405.02.250	405.02.350
C Frame profile	405.03.250	405.03.350

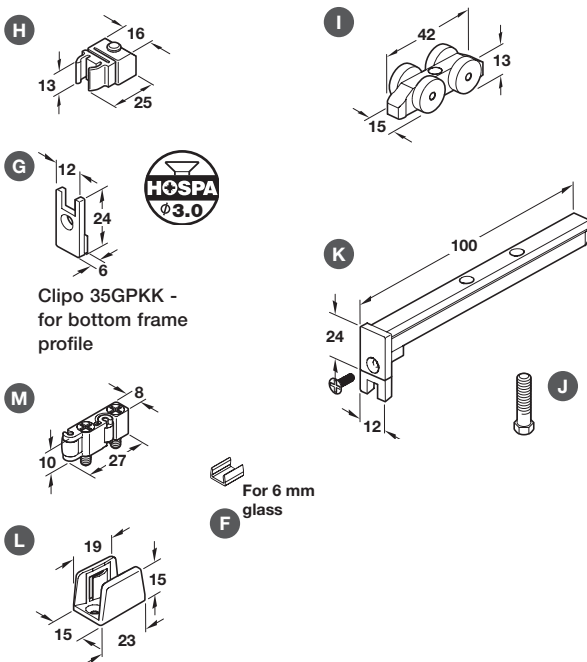
EKU-CLIPO 35GPK and 35GPKK end pieces



- > End piece, for top track, cap to support ends of track,
- > Grey plastic
- > Order qty: 2 pcs (*4 pcs required per 2 or 3 door application)

Additional items	Cat. No.
D Single end piece	405.00.070
E Double end piece	405.00.071

EKU-CLIPO 35GPK and 35GPKK fitting sets



Clipo 35GPKK - for bottom frame profile

For 6 mm glass

- > Fitting set consists of:
- F Spacer, for use with 6 mm glass in profile E, grey plastic
- G Profile cover cap, GPKK, screw fixing to bottom profile E, zinc alloy
- H Stopper, for top track, with retaining spring, grey plastic
- I Running gear, ±2 mm vertical adjustment, bright zinc alloy
- J Mounting screw, M5 x 20, for fixing running gear to suspension block, galvanized steel
- K Suspension block, for insertion and screw fixing in profile E, bright zinc alloy
- L Bottom guide, GK, for glass thickness 6-8 mm, screw fixing to base, matt chrome-plated aluminium
- M Bottom guide, GKK, rattle-proof, screw fixing to base for use with profile E, grey plastic

	35GK	35GKK
For 1 door		
F Spacer	2 pcs	4 pcs
G Profile cover cap, GPKK	-	2 pcs
H Stopper	2 pcs	2 pcs
I Running gear	2 pcs	2 pcs
J Mounting screw	2 pcs	2 pcs
K Suspension block	2 pcs	2 pcs
L Bottom guide, GPK	1 pc	-
M Bottom guide, GPKK	-	1 pc
Cat. No.	405.02.008	405.02.009
Additional items	Order qty	Cat. No.
G Profile cover cap, GPKK	1 pc	405.02.023
L Bottom guide, GPK	1 pc	405.83.160

EKU-CLIPO 35GPK and 35GPKK push button



! > Push button cylinder locks for glass panels 6-8 mm thick. Accessories: 2 keys

- N Push button cylinder lock, left or right hand, for installation in the end of profile E, matt chrome-plated zinc alloy
- > Order qty: 1 pc (order 1 pc per pair of doors)

Special Order

Additional items	Cat. No.
N Push button, left hand	405.02.091
N Push button, right hand	405.02.090