

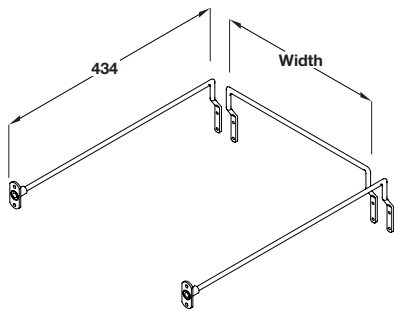
GALLERY RAILING SYSTEM

Gallery railing system for use with metal drawer sides and wooden drawers.



For use with:
 Wooden drawers shown on pages **114-117, 128**
 Grass metal drawer sides shown on page **102**
 Metal drawer sides shown on page **106**
 Häfele metal drawer sides shown on page **107**

Gallery rail set



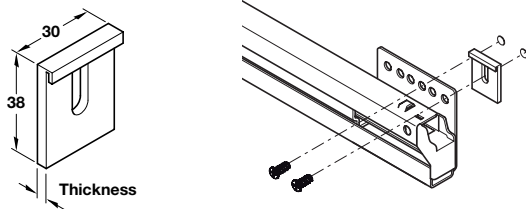
- > Available in three sizes to make a standard drawer into a high sided drawer
- > Screw fixing
- > Back section changes to suit the drawer width, side sections are the same for all drawers
- > Chrome-plated steel
- > Order qty: 1 set

For cabinet width	Width	Cat. No.
400 mm	258 mm	558.67.221
500 mm	358 mm	558.67.249
600 mm	460 mm	558.67.267

SPACERS AND BRACKETS

For use with metal drawer sides and wooden drawers.

Spacer



- > Spacers available for different side wall thicknesses
- > White plastic
- > Order qty: 1 pc

PART NUMBERS REMOVED
558.73.034

Thickness	1 mm	3 mm
Cat. No.	558.73.017	558.73.035

Stand off bracket



Stand off bracket
 25 mm thick

- > For use with runners to prevent an internal drawer snagging on the door hinges when withdrawn
- > Plastic
- > Order qty: 1 pc

PART NUMBERS REMOVED
558.12.890

Colour	Cat. No.
White	558.48.809

PAGE AMENDED
 02.11.16/1