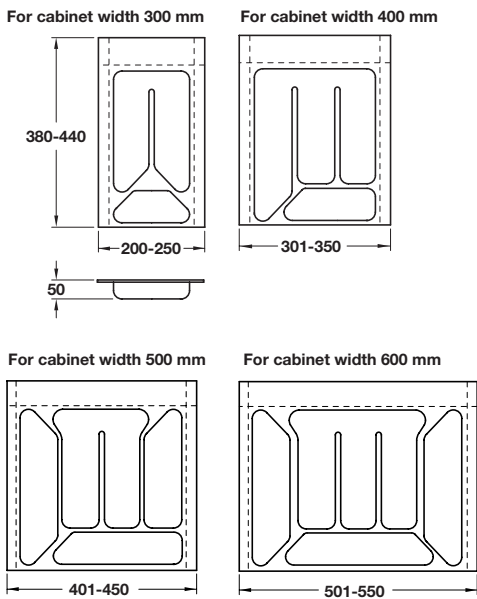


PLASTIC CUTLERY INSERTS



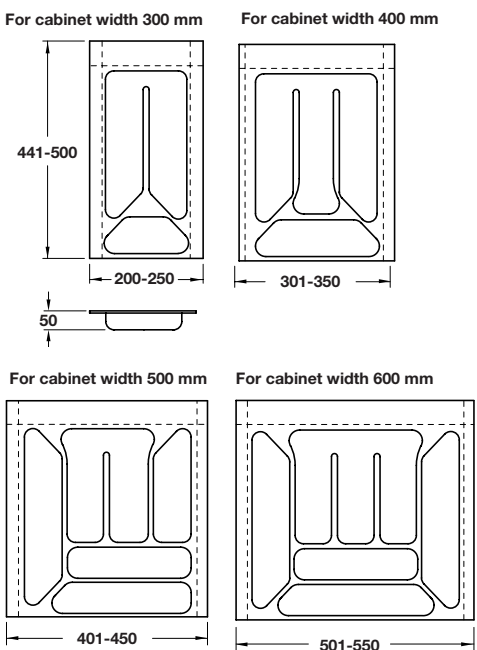
Cutlery insert, 380-440 mm deep



- > For cabinet depth 500 mm
- > For cabinet widths from 300 mm to 600 mm
- > With a generous border allowance for trimming to size
- > This material is too sturdy to cut with just scissors or a sharp knife
- > 3 mm thick plastic
- > Cream-white vacuum formed plastic
- > Order qty: 1 pc

For cabinet width	Cat. No.
300 mm	556.85.430
400 mm	556.85.440
500 mm	556.85.450
600 mm	556.85.460

Cutlery insert, 441-500 mm deep



- > For cabinet depth 600 mm
- > For cabinet widths from 300 mm to 600 mm
- > With a generous border allowance for trimming to size
- > This material is too sturdy to cut with just scissors or a sharp knife
- > 3 mm thick plastic
- > Cream-white vacuum formed plastic
- > Order qty: 1 pc

For cabinet width	Cat. No.
300 mm	556.86.430
400 mm	556.86.440
500 mm	556.86.450
600 mm	556.86.460

DRAWER SYSTEMS, STAYS AND HINGES 2015, © Häfele U.K. Ltd 2015. Dimensional data not binding. We reserve the right to alter specifications without notice.