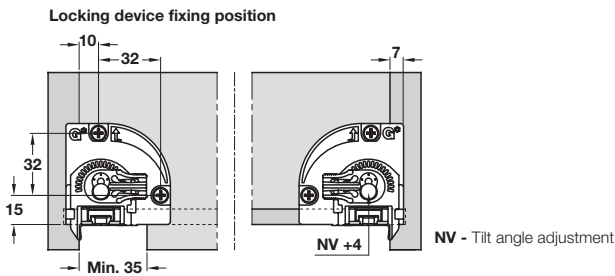
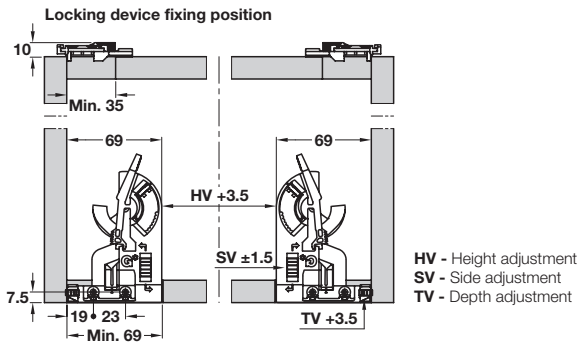


# DYNAPRO ACCESSORIES

## Dynapro front and rear clip and adaptor set, 4D adjustment

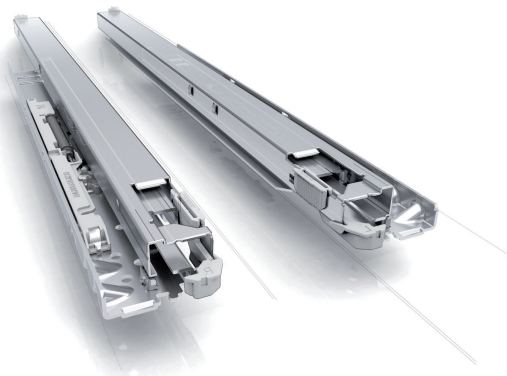


- > Compatible with Dynapro drawer runners
- > Height adjustment + 3.5 mm
- > Side adjustment  $\pm 1.5$  mm
- > Tilt angle adjustment +4 mm
- > Depth adjustment +3.5 mm
- > Plastic
- > Order qty: 1 set



Finish	Cat. No.
Dark grey	433.19.090

## Dynapro for base panel mounting, soft close full extension slide



- > Base panel mounting for drawers/shelves
- > Can be used with Dynapro soft close runners to stabilise 1200+ mm wide drawers
- > 40 kg carrying capacity
- > With integrated liquid Soft-close®
- > Fully synchronized runners
- > 32 mm drilling pattern
- > Zinc-plated steel
- > Order fixing screws separately
- > Order qty: 1 pair



Length (NL)	Cat. No.
<b>40 kg carrying capacity</b>	
450 mm	433.19.624
500 mm	433.19.625

YOU ALSO NEED:

**DYNAPRO FIXING CLIPS**  
Pages 162-163, 163A

**OPTIONAL ACCESSORIES**  
Page 168

PAGE AMENDED  
13.11.17/2