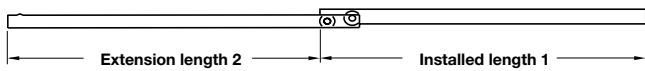
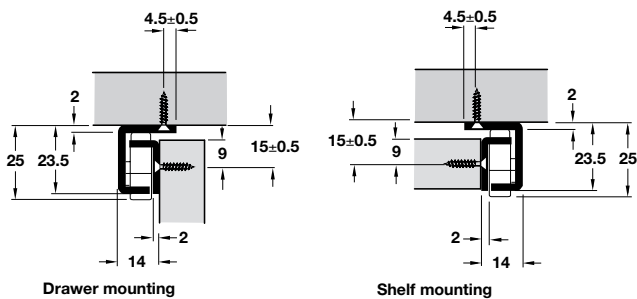
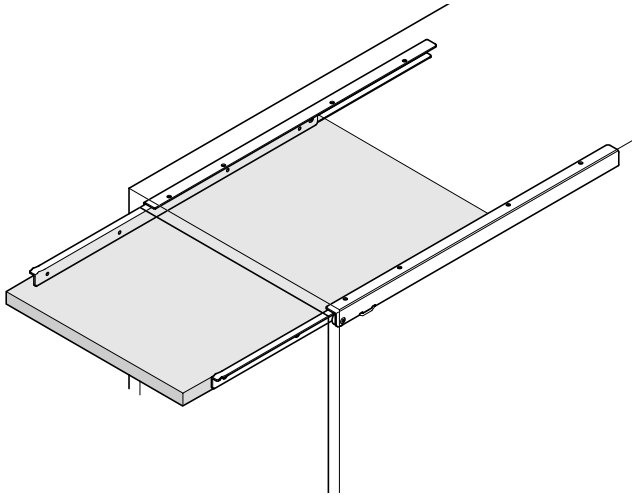


## Shelf runners, single extension



- > Top mounting
- > 30 kg capacity
- > Roller action, cabinet and drawer profiles each have one plastic roller
- > Overrun clip prevents the drawer or shelf from accidentally disengaging
- > The ideal runners for adding a drawer or shelf beneath an existing top leaf
- > White epoxy coated steel finish
- > Order fixing screws separately
- > Order qty: 1 pair



**Single  
Extension**



Installed length 1	Extension length 2	Cat. No.
305 mm	205 mm	421.00.730
355 mm	255 mm	421.00.735
405 mm	290 mm	421.00.740
455 mm	340 mm	421.00.745
505 mm	390 mm	421.00.750
555 mm	440 mm	421.00.755