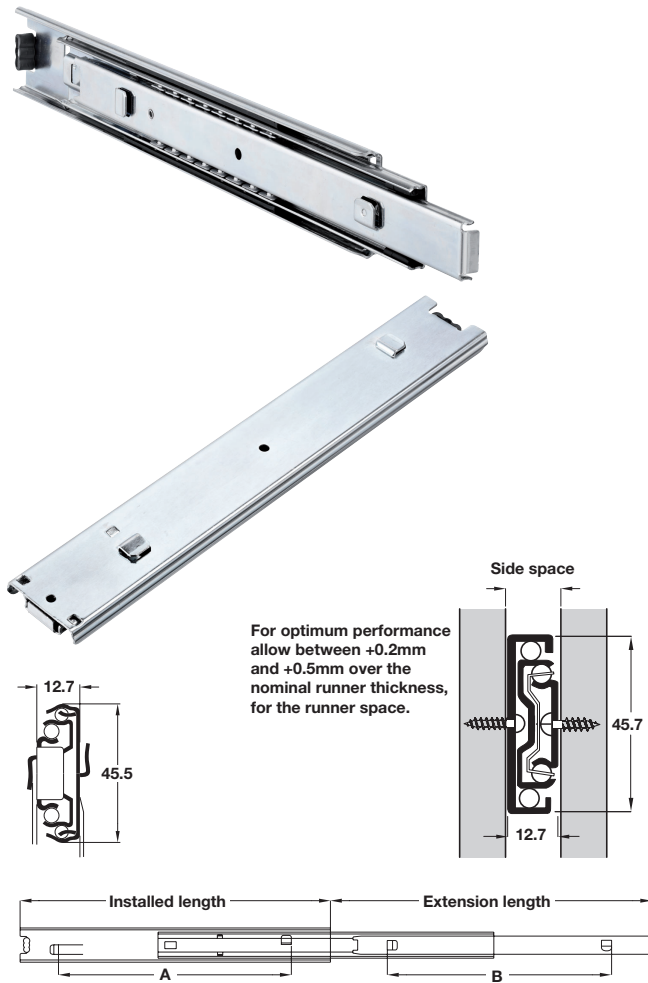


Drawer runners, full extension, for metal applications



- > *35 kg carrying capacity
- > Hold-in feature holds the drawer in
- > Front disconnect (by pressing lever) for drawer removal
- > Tolerance absorption tabs
- > Bayonet mounting
- > Breathing tabs, easy installation
- > Zinc-plated steel
- > Order qty: 1 pair

PART NUMBERS REMOVED
432.44.665

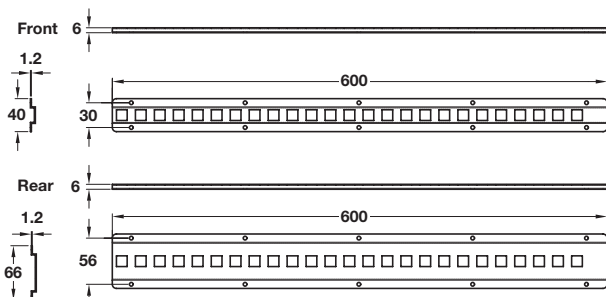
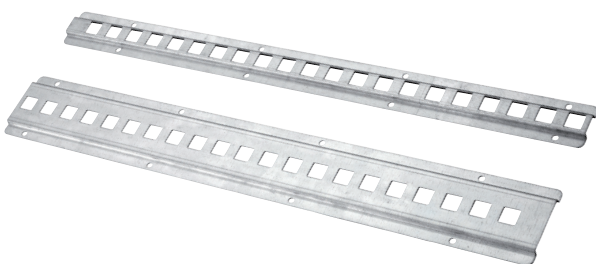


Installed length	Extension length ± 2	Dims. A/B	Cat. No.
250 mm	275 mm	150 mm	432.44.625
300 mm	325 mm	200 mm	432.44.630
350 mm	375 mm	250 mm	432.44.635
400 mm	425 mm	300 mm	432.44.640
450 mm	475 mm	350 mm	432.44.645
500 mm	525 mm	400 mm	432.44.650
550 mm	575 mm	450 mm	432.44.655
600 mm	625 mm	500 mm	432.44.660
700 mm	725 mm	600 mm	432.44.670



*Load ratings vary according to runner length. Load rating shown is the maximum for a pair of 450 mm length side mounted runners installed 450 mm apart. For larger drawers a test installation is advised. Please contact us for further information if required

Ladder strip



- > Ideal for installing bayonet slides into wooden cabinets
- > Comprises of one front and one rear strip
- > To be cut to required length
- > Compatible with all standard Accuride bayonet mounting slides
- > Order fixing screws separately
- > Order qty: 1 pc



Ladder strip Cat. No. 420.09.907

PAGE AMENDED
02.11.16/2