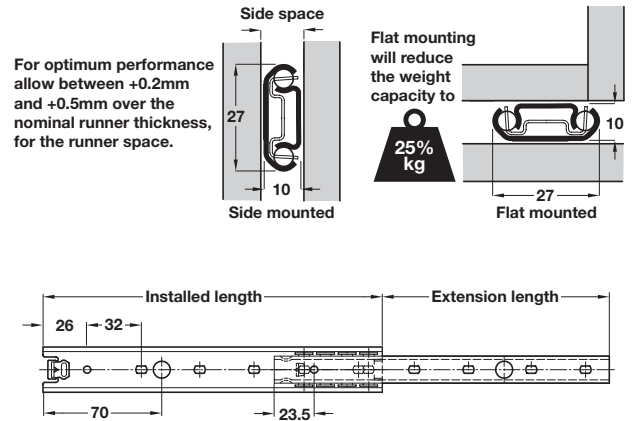


**Accuride 2728 SS drawer runners, single extension**



- > Ideal for environments where mild steel might be subject to corrosion
- > Load carrying capacity up to 20 kg (see below for individual runner capacity)
- > Hold-in feature holds the closed drawer in
- > 9.5 mm slide thickness
- > High grade stainless steel
- > Please note: Weight limit per pair based on length, weight limits reduce by 75% if flat mounted
- > Order fixing screws separately (max. head height 2.5 mm, Ø 9.6 mm)
- > Order qty: 1 pair



Installed length	Extension length (±3)	Load capacity	Cat. No.
250 mm	170 mm	15 kg	432.28.025
300 mm	208 mm	18 kg	432.28.030
350 mm	245 mm	20 kg	432.28.035
400 mm	283 mm	20 kg	432.28.040
450 mm	320 mm	20 kg	432.28.045
490 mm	347 mm	18 kg	432.28.050

DRAWER SYSTEMS, STAYS AND HINGES 2015, © Häfele U.K. Ltd 2015. Dimensional data not binding. We reserve the right to alter specifications without notice.