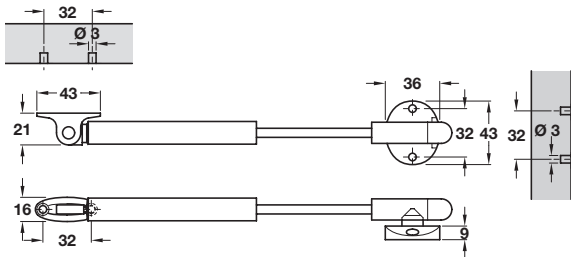


AUTOMATIC OPENING LID STAY



- > Automatic version, once you begin to open the door it continues to open gently and completely by itself
- > Adjustment:
 - Align to nearby doors using the rotary knob placed on the piston base plate
 - To change the opening and closing time of the door adjust the position of the piston base plate within the slot of the side bracket
- > Metal supports nickel-plated for quick assembly
- > Fixing screws and guide included



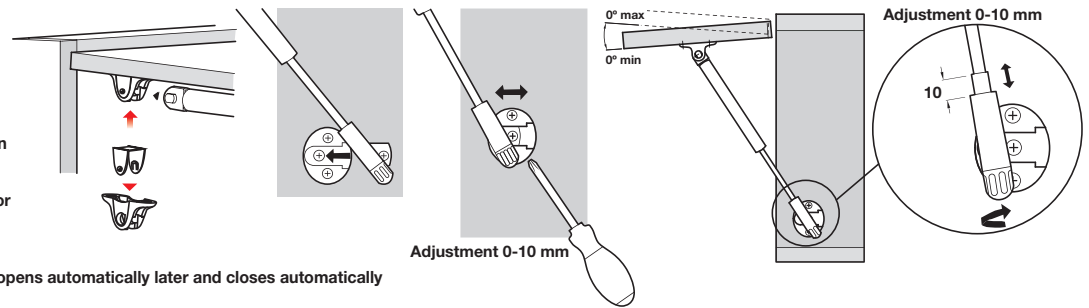
Important:

The door bracket has to be placed in vertical position with the slot facing forwards.

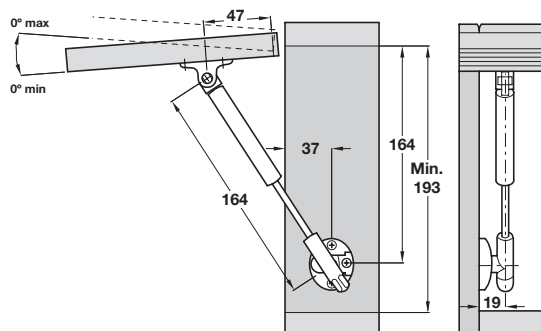
The side bracket has to be placed with the slot in a horizontal position and the open end facing the wall.

The opening and closing of the door can be changed by adjusting the position of the piston base plate within the slot:

- Forwards adjustment = the door opens automatically later and closes automatically in advance.
- Backwards adjustment = the door opens automatically in advance and closes automatically later.



Automatic opening lid stay, 164 mm version



Adjustment of the door opening angle

L	X°
164 mm	103° max. 83° min.

> Order qty: 1 set

The table below refers to chipboard or MDF 18 mm doors and aluminium frame doors with glass 4 mm thick.

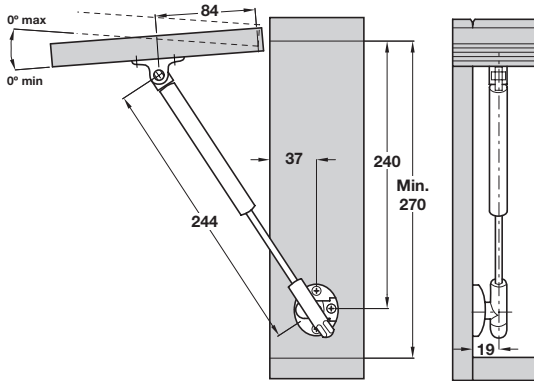
These are experimental results to be checked by the customer

Door width	450 mm	600 mm	900 mm	1200 mm
Door height	Kilos StaysxN	Kilos StaysxN	Kilos StaysxN	Kilos StaysxN
230-250 mm	1.2-1.3 1x50	1.6-1.8 1x80	2.4-2.6 2x50	3.2-3.5 2x80
251-300 mm	1.3-1.6 1x80	1.8-2.1 2x50	2.6-3.2 2x80	3.5-4.2 2x80



	Cat. No.
50N	372.00.705
80N	372.00.704

Automatic opening lid stay, 244 mm version



Adjustment of the door opening angle

L	X°
244 mm	94° max. 83° min.

> Order qty: 1 set

The table below refers to chipboard or MDF 18 mm doors and aluminium frame doors with glass 4 mm thick.

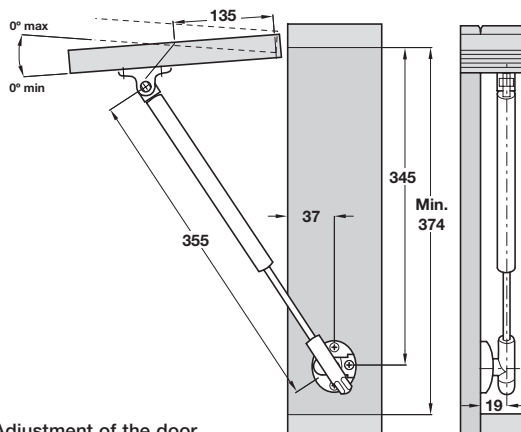
These are experimental results to be checked by the customer

Door width	450 mm	600 mm	900 mm	1200 mm
Door height	Kilos StaysxN	Kilos StaysxN	Kilos StaysxN	Kilos StaysxN
300-350 mm	1.6-1.8 1x80	2.1-2.5 1x80	3.2-3.7 2x80	4.2-4.9 2x80
351-400 mm	1.8-2.1 1x80	2.5-2.8 2x50	3.7-4.2 2x80	4.9-5.6 2x100
401-450 mm	2.1-2.4 2x50	2.8-3.2 2x80	4.2-4.7 2x100	-
451-500 mm	2.4-2.6 2x80	3.2-3.5 2x80	-	-
501-550 mm	2.6-2.9 2x80	3.5-3.9 2x100	-	-
551-600 mm	2.9-3.2 2x100	3.9-4.2 2x120	-	-



	Cat.No.
50N	372.00.701
80N	372.00.702
100N	372.00.703
120N	372.00.706

Automatic opening lid stay, 355 mm version



Adjustment of the door opening angle

L	X°
355 mm	90° max. 83° min.

> Order qty: 1 set

The table below refers to chipboard or MDF 18 mm doors and aluminium frame doors with glass 4 mm thick.

These are experimental results to be checked by the customer

Door width	900 mm	1200 mm	1500 mm	1800 mm
Door height	Kilos StaysxN	Kilos StaysxN	Kilos StaysxN	Kilos StaysxN
451-500 mm	-	-	-	9.5-10.5 2x120
501-550 mm	-	-	8.8-9.7 2x120	-
551-600 mm	-	7.7-8.4 2x120	-	-
601-650 mm	-	-	-	-
651-700 mm	6.8-7.4 2x120	-	-	-

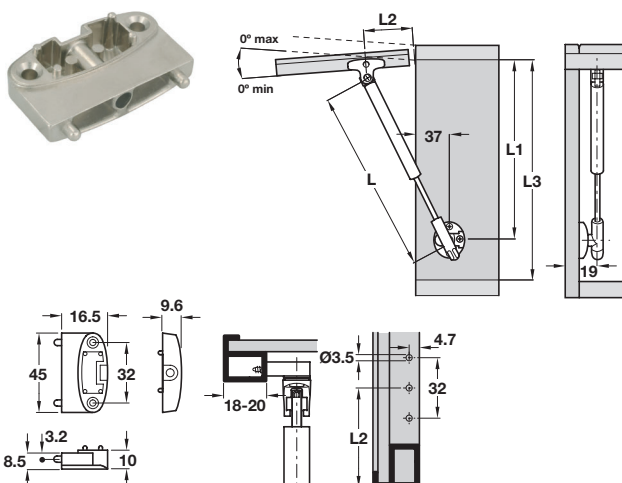


160N version is suitable for a door 600-700 mm height, 10-14 kg weight. A test installation is recommended to verify if 1 or 2 stays are required



	Cat. No.
120N	372.00.707
160N	372.00.711

Adaptor for aluminium frame 18-20 mm wide



- > The adaptor suits both flap and drop down automatic doors
- > Metal support nickel-plated for quick assembly
- > Zinc-plated steel
- > Order qty: 1 pc

The dimensions refer to carcasses which use standard sprung hinges and mounting plates 0 mm

L	L1	L2	L3 (min.)	X°
164 mm	161 mm	50 mm	190 mm	103° max 83° min
244 mm	235 mm	84 mm	264 mm	94° max 83° min
355 mm	345 mm	135 mm	374 mm	90° max 83° min



	Cat.No.
Lid stay adaptor	372.00.790