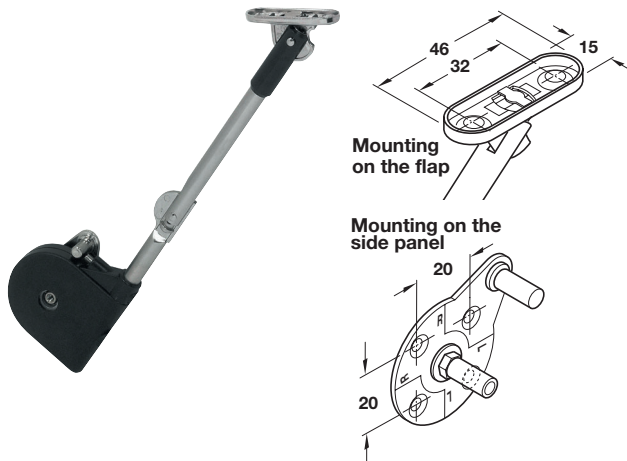
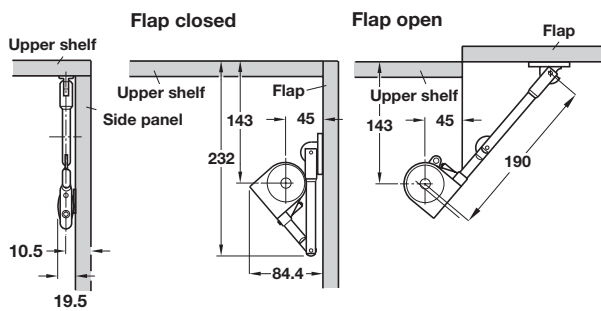


Lid stay



- > With quick mounting angled foot
- > Unhanded design
- > Nickel-plated steel lid stay with plastic housing
- > Order qty: 1 pc



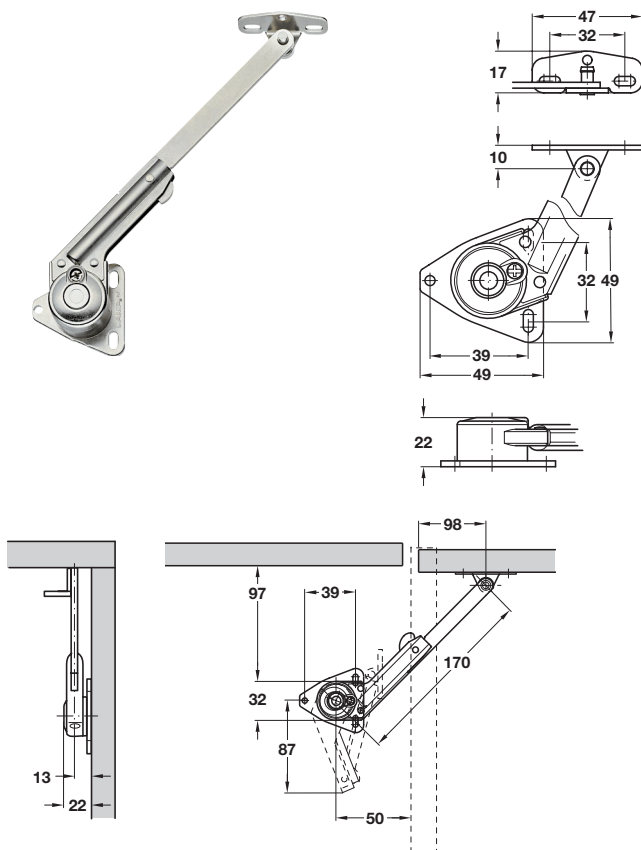
PART NUMBERS REMOVED
365.31.700



Housing colour
Black

Cat. No.
365.31.300

Lid stay



- > Opening angle 90°
- > With angled foot
- > Handed design
- > Screw adjustment of braking action-unscrew weakens braking action, screw tighter strengthens action
- > Screw fixing
- > Press fit (quick mounting) fixing to angled foot
- > Nickel-plated steel
- > Order fixing screws separately
- > Order qty: 1 pc



Handed
Left
Right

Cat. No.
365.31.611
365.31.610