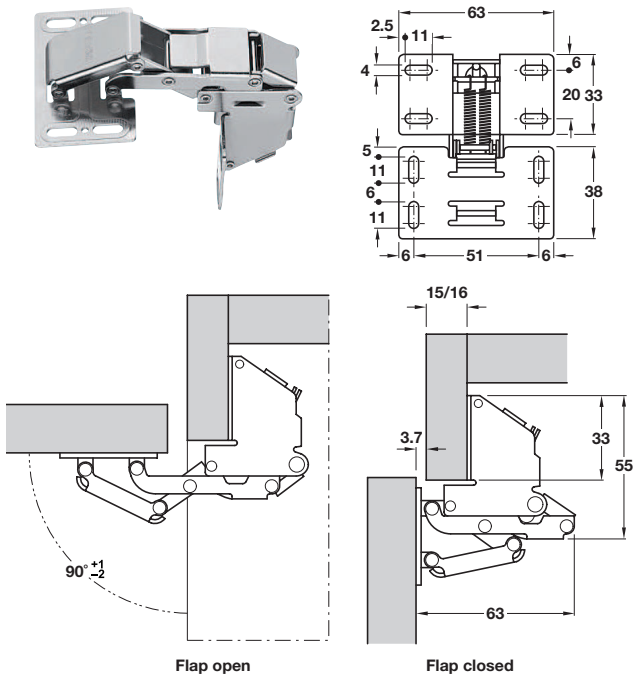




- > Opening angle 90°
- > Screw fixing
- > For maximum flap thickness 15 or 16 mm
- > For flap weight up to 2.1 kg
- > For flap width max. 800 mm
- > For flap height max. 340 mm
- > Side and depth adjustment via slots
- > Automatic closing and opening mechanism
- > The pull is adjustable in accordance with the flap weight; different hinge types for different flap weights are therefore not required
- > Nickel-plated steel
- > Minimum of 2 required per flap

Swing up hinge, for mounting with panel

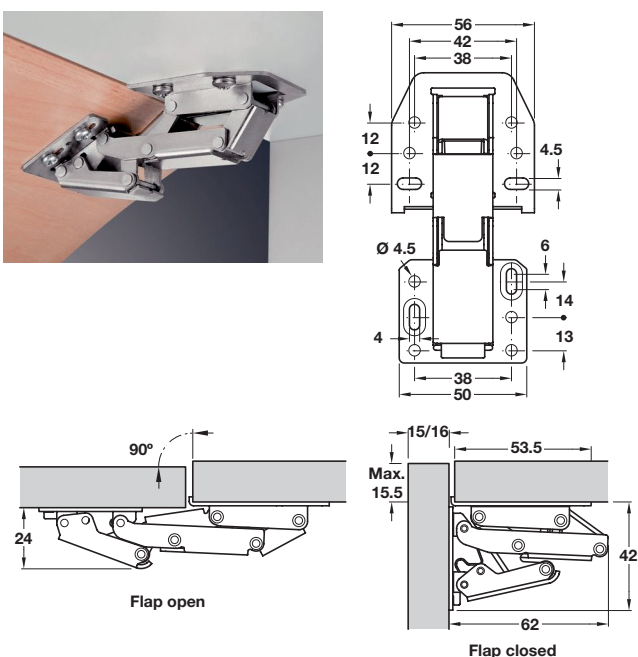


- > Order fixing screws separately
- > Order qty: 1 pc



Item	Cat. No.
For mounting with panel	356.36.600

Swing up hinge, for overlay mounting



- > Order fixing screws separately
- > Order qty: 1 pc



Item	Cat. No.
For overlay mounting	356.36.602