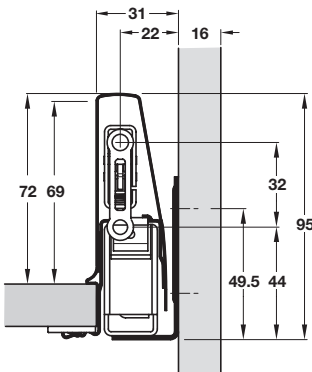


# MX 30 KG STANDARD DRAWER SETS

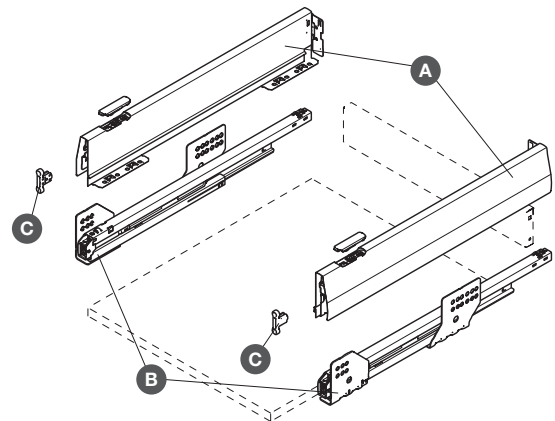
Standard drawer, 92 mm high.



- > Quick to assemble and install
- > Standard drawer suits either 16 or 18 mm drawer base and rear panel
- > Synchronised runners are full extension with Smuso integrated soft and self-closing mechanism on both sides
- > Vertical inner sides for optimum capacity
- > Drawer fronts can be adjusted from above by means of the front fixing bracket, neatly concealed by a trim cap
- > Drawer fronts can be removed without tools
- > Each set includes:
  - A 1 pair drawer sides
  - B 1 pair runners
  - C 2 front fixing brackets, screw fixing
- > MX standard drawer sides, 92 mm high
  - With integrated rear panel holder, requires 16 or 18 mm drawer base and rear panel (not included)
  - Plastic cover caps included
  - Powder coated steel
- > Full extension synchronised runners
  - Load carrying capacity 30 kg per pair
  - With integrated Smuso soft-closing and self-closing mechanisms
  - Galvanized steel
- > Order fixing screws separately
- > Order qty: Multiples of 6 sets



Installation information is shown on page 24



## MX 30 kg standard drawer set, grey



- > Suits 16 mm drawer base and rear panel
- > Grey powder coated drawer sides
- > Order qty: Multiples of 6 sets

**smuso**



Length	Cat. No.
400 mm	551.54.553
450 mm	551.54.554
500 mm	551.54.555

## MX 30 kg standard drawer set, white



- > Suits 16 mm drawer base and rear panel
- > White powder coated drawer sides
- > Order qty: Multiples of 6 sets

**smuso**



Length	Cat. No.
400 mm	551.54.753
450 mm	551.54.754
500 mm	551.54.755

## MX 30 kg standard drawer set, anthracite



- > Suits 18 mm drawer base and rear panel
- > Anthracite powder coated drawer sides
- > Order qty: Multiples of 6 sets

**smuso**



Length	Cat. No.
400 mm	551.54.313
450 mm	551.54.314
500 mm	551.54.315

## MX 30 kg standard drawer set, silver



- > Suits 18 mm drawer base and rear panel
- > Silver powder coated drawer sides
- > Order qty: Multiples of 6 sets

**smuso**



Length	Cat. No.
400 mm	551.54.913
450 mm	551.54.914
500 mm	551.54.915

## MX 30 kg standard drawer set, bronze



- > Suits 16 mm drawer base and rear panel
- > Bronze powder coated drawer sides
- > Order qty: Multiples of 6 sets

**smuso**



Length	Cat. No.
400 mm	551.54.153
450 mm	551.54.154
500 mm	551.54.155

YOU ALSO NEED:

 **DRAWER BACKS & BASES**  
Pages 54-55 (16 mm only)

 **FIXING SCREWS**  
Pages 468-470

**OPTIONAL ACCESSORIES**  
Pages 30-53