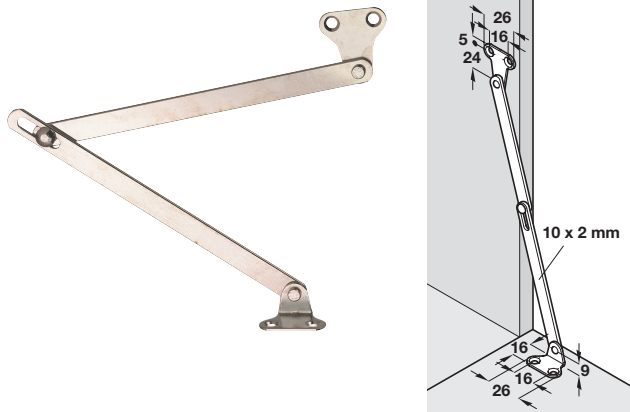


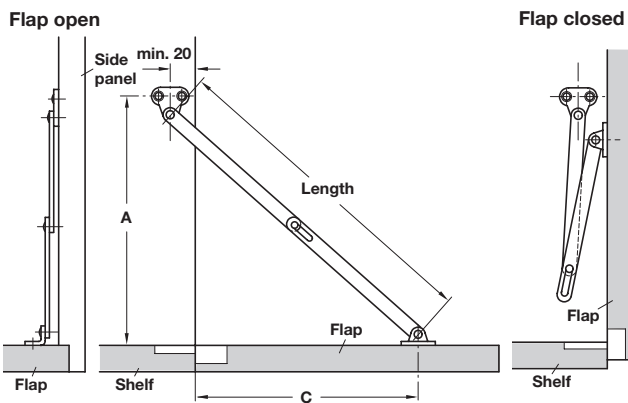
**Flap stay**



- > With slotted centre joint
- > Screw mounting to side panel and flap
- > Unhanded design
- > Nickel-plated steel flap stay
- > Order fixing screws separately
- > Order qty: 1 pc

Length	Internal cabinet height	Distance A
150 mm	min. 135 mm	125 mm
200 mm	min. 170 mm	160 mm
250 mm	min. 200 mm	190 mm
300 mm	min. 230 mm	230 mm

Determine distance C by trial mounting



Length	Cat. No.
150 mm	365.10.753
200 mm	365.10.728
250 mm	365.10.737
300 mm	365.10.746

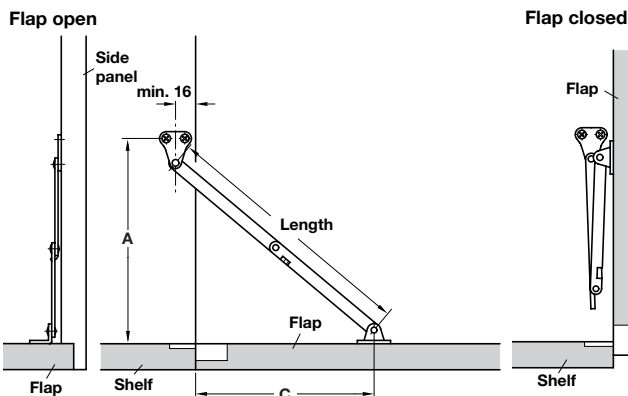
**Flap stay**



- > With centre joint
- > Screw mounting to side panel and flap
- > Handed design
- > Nickel-plated steel flap stay
- > Order fixing screws separately
- > Order qty: 1 pc

Length	Internal cabinet height	Distance A
150 mm	min. 135 mm	125 mm
200 mm	min. 170 mm	160 mm
250 mm	min. 200 mm	190 mm

Determine distance C by trial mounting



Length	Left	Right
150 mm	365.60.730	365.60.720
200 mm	365.60.750	365.60.740
250 mm	365.60.770	365.60.760

DRAWER SYSTEMS, STAYS AND HINGES 2015, © Häfele U.K. Ltd 2015. Dimensional data not binding. We reserve the right to alter specifications without notice.