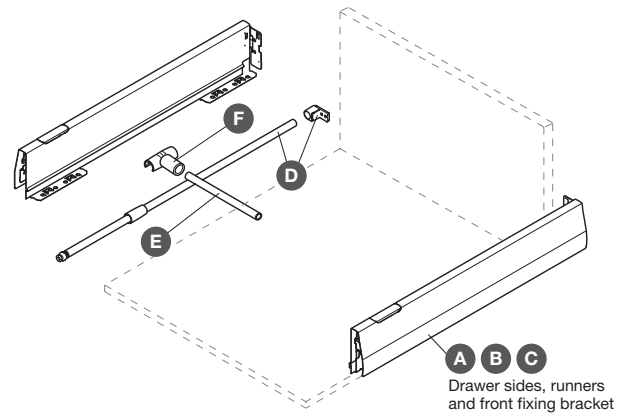


# ROUND RAIL SETS FOR MX DRAWERS

Gallery railing system includes side rail set, cross rails and holders.

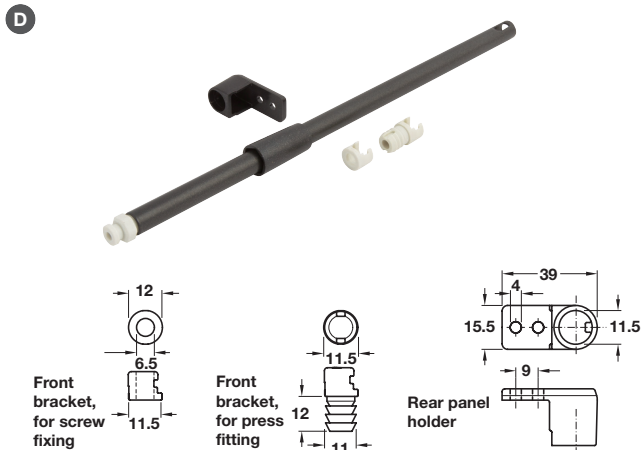


- A** Metal drawer sides
- B** Drawer runners
- C** Front fixing brackets
- D** Side rail set
- E** Cross rail
- F** Cross rail holder

YOU ALSO NEED:



## MX round rail set

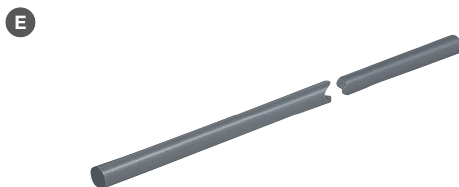


- > Set consists of 2 rails, 2 front brackets for press fitting, 2 front brackets for screw fixing and 2 rear panel holders
- > Tilting angle of front panel is adjustable by rotating the rail  $\pm 2$  mm
- > Powder coated steel railing, plastic brackets and holder
- > Order fixing screws separately
- > Order qty: 1 set



For drawer length	Grey/Silver	White	Anthracite
270 mm	553.59.900	553.59.600	553.59.400
350 mm	553.59.902	553.59.602	553.59.402
400 mm	553.59.903	553.59.603	553.59.403
450 mm	553.59.904	553.59.604	553.59.404
500 mm	553.59.905	553.59.605	553.59.405

## MX cross rail



- >  $\varnothing$  11 mm, for subdividing the drawer, can be cut to size
- > For max. cabinet width 1200 mm (using 2x cross rail holders)
- > Order 2 pcs cross rail holder, item **F**, separately per rail
- > Powder coated steel
- > Order qty: 1 pc

Length	Grey/Silver	White	Anthracite
1200 mm	553.59.934	553.59.634	553.59.434

## MX cross rail holder



- > Press-fits onto cross rail and clips onto side rail
- > Plastic
- > Order qty: Multiples of 2 pcs

Colour	Grey/Silver	White	Anthracite
Cat. No.	553.59.239	553.59.639	553.59.439

DRAWER SYSTEMS, STAYS AND HINGES 2015, © Häfele U.K. Ltd 2015. Dimensional data not binding. We reserve the right to alter specifications without notice.