

TIOMOS 110° POST HINGE



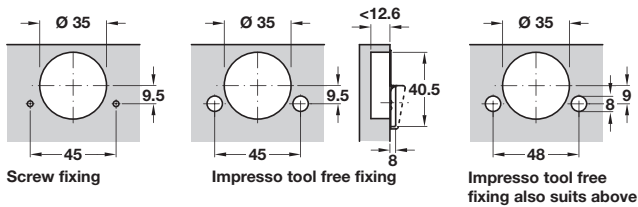
- > For blind corner applications
- > Opening angle 110°
- > Ø 35 mm cup
- > For door thickness up to 24 mm (for door thicknesses 24 mm and above, a trial fitting is recommended)
- > Available with or without integrated soft close
- > Screw fixing or Impresso cup
- > Click on arm
- > Steel cup and zinc alloy hinge arm
- > Note: Dimensions in drawings and tables are calculated using factory settings and for mounting plate distance 2 mm
- > Order fixing screws separately
- > Order qty: 1 pc

Tiomos 110° Post Hinge

Door thickness mm	Distance to cup E mm				
	3.0	4.0	5.0	6.0	7.0
16	0.6	0.6	0.6	0.6	0.6
17	0.6	0.6	0.6	0.6	0.6
18	0.7	0.7	0.7	0.7	0.7
19	0.9	0.9	0.9	0.9	0.9
20	1.1	1.1	1.1	1.1	1.1
21	1.4	1.3	1.3	1.3	1.3
22	1.6	1.6	1.6	1.5	1.5
24	2.4	2.1	2.1	2.1	2.0
Minimum gap F					

Notes:
 Minimum reveal for doors with bevelled edges (R = 1 mm) (factory setting)
 Use standard mounting plate height 3 to ensure that door is flush fitting
 Hinge dimensions and reveal calculation with factory setting
 Door protrudes inwards when fully opened

Drilling pattern for cup fixing



TIOMOS 110° Concealed post hinge

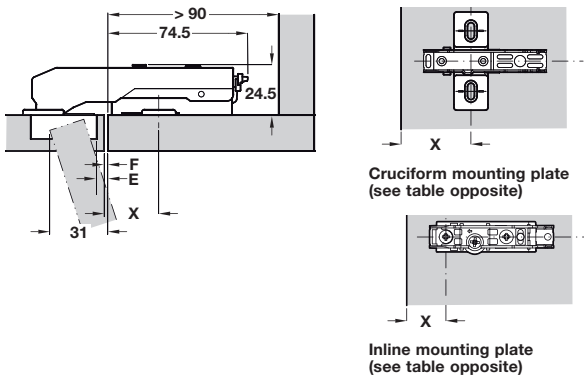


Table for cruciform mounting plate

Distance to cup E mm				
4	5	6	7	
1	0			28
2	1	0		27
3	2	1	0	26
Door reveal F mm				Dim. X mm

Table for inline mounting plate

Distance to cup E mm				
4	5	6	7	
1	0			11
2	1	0		10
3	2	1	0	9
Door reveal F mm				Dim. X mm



Soft close	Screw fixing	Impresso
With	348.37.800	348.37.830
Without	348.37.600	-

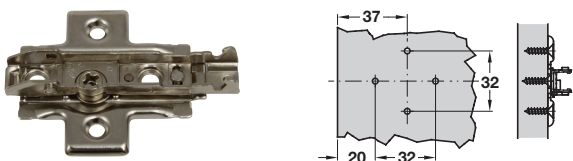
YOU ALSO NEED:

MOUNTING PLATES
Pages 364-366

FIXING SCREWS
Page 468

OPTIONAL ACCESSORIES
Pages 367-368, 403-417

Cruciform mounting plate, 4 point fixing



- > For TIOMOS click on fixing hinges only
- > Hospa screw fixing
- > Two part plate with ± 2 mm height adjustment via worm screw
- > Nickel-plated steel
- > Order fixing screws separately
- > Order qty: 1 pc



A wider range of mounting plates are shown on pages **364-366**

Height	Hospa screw
0 mm	348.38.511