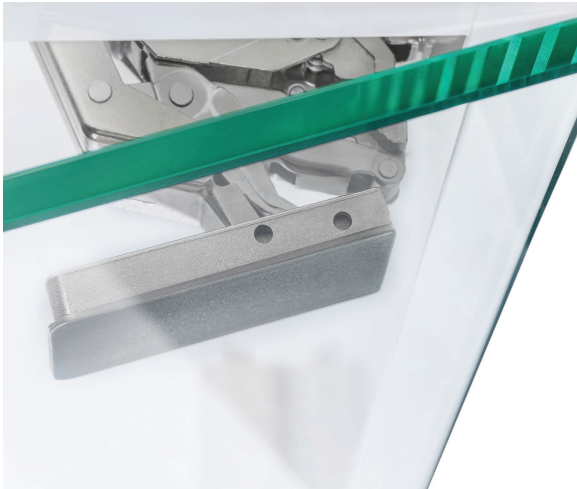


TIOMOS MIRRO FOR GLASS DOORS



- > For glass thickness 3-8 mm
- > Opening angle 125°
- > 3-dimensional adjustment with appropriate mounting plate
- > Fastening through door-side gluing of a zinc alloy adapter
- > Connection of the hinge to the adapter using a cam
- > Quick final assembly without glass drilling
- > High overlay up to 19 mm

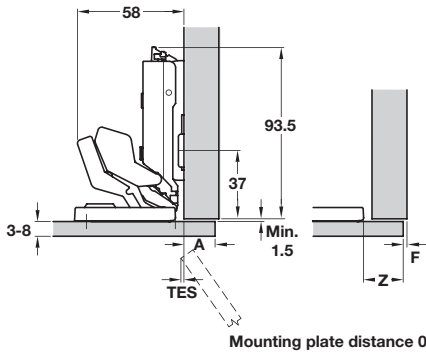
YOU ALSO NEED:

MOUNTING PLATES
 Pages 364-366

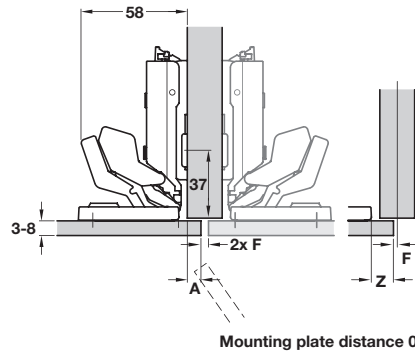
ADAPTER
 Page 357

OPTIONAL ACCESSORIES
 Pages 367-368, 403-417

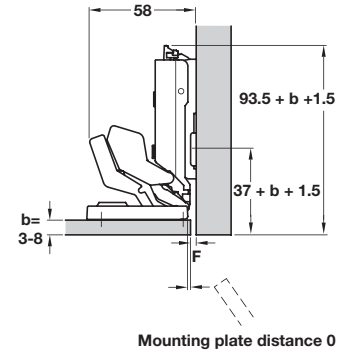
Overlay



Half overlay



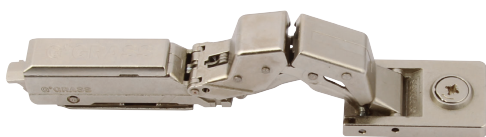
Inset



Gluing dimension Z	1.5	2.5	10.5	12.5	14.5	16.5	18.5	19.5	21.5	23.5
Door protrusion TES	0	0	0	0	0	0	0	0.5	1.5	3
Door overlay A	-3	-2	6	8	10	12	14	15	17	19
Min. reveal F / Gap S	F S	F S	F S	F S	F S	F S	F S	F S	F S	F S
Door thickness 3-8	2 1.5	2 1.5	2 1.5	2 1.5	2 1.5	2 1.5	2 1.5	2 1.5	2 1.5	2 1.5

- > Insetting of the door is achieved via a modified mounting plate attachment spacing (X) and a small gluing gap (Z)
- > Attention: With mirror or glass doors all reveals must be at least 1.5 mm (otherwise there is a risk of breakage). The inner door must not touch the rack upon opening
- > **Installation advice: Please contact your glass or door supplier in respect of glue selection and how to use the glue for fastening of the hinge retainer on mirror or glass doors**
- > **Liability claims: We cannot accept liability either for the glue used or the gluing process nor can we accept any responsibility for claims arising therefrom; we kindly ask for your understanding in this respect**

Tiomos Mirro for glass doors



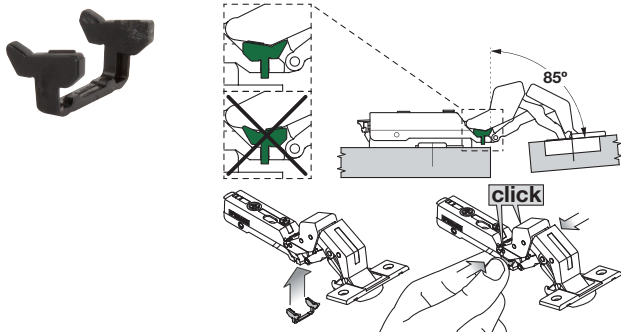
- > Adapter must be ordered separately
- > Order qty: 1 pc



Version	Cat. No.
Integrated damper	348.41.840
Without integrated damper	348.41.640
Tipmatic	348.41.440

DRAWER SYSTEMS, STAYS AND HINGES 2015, © Häfele U.K. Ltd 2015. Dimensional data not binding. We reserve the right to alter specifications without notice.

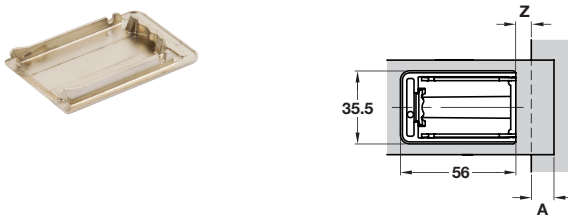
Opening angle restraint



- > Prevents the door from butting against front panels or walls with corner mounting by reducing opening angle to 90°
- > For use with TIOMOS M9, M0 and Mirro 125° hinges
- > Black plastic
- > Order qty: 1 pc

Opening angle	Cat. No.
90°	348.40.012

Adapter



- > For use with Tiomos Mirro, for clear glass
- > Zinc alloy
- > Order qty: 1 pc

Adapter	Cat. No.
	348.40.074

MultiFix power adhesive, 12 ml



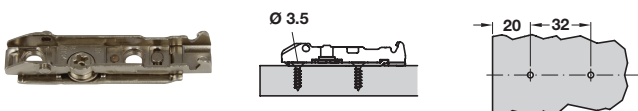
! We recommend using a Isopropyl alcohol wipe to remove any excess adhesive. We would not recommend using Meths or white spirit

- > For bonding almost any material combinations including metal, most plastics, glass, fibreglass, wood, composites, carbon fibre, brick, concrete, stone and gems
- > 1hr curing time, 3-5 minutes handling strength
- > Low odour
- > Weather resistant
- > 12 ml cartridge
- > Order qty: 1 pc



Colour	Cat. No.
Blue	003.50.151

Inline mounting plate



- > For TIOMOS click on fixing hinges only
- > Varianta screw fixing
- > Two part plate with ± 2 mm height adjustment via worm screw
- > Nickel-plated steel
- > Order fixing screws separately
- > Order qty: 1 pc



➔ A wider range of mounting plates are shown on pages **364-366**

Height	Varianta screw
0 mm	348.38.501

