

MX 30/50 KG STANDARD DRAWER PACKED SETS

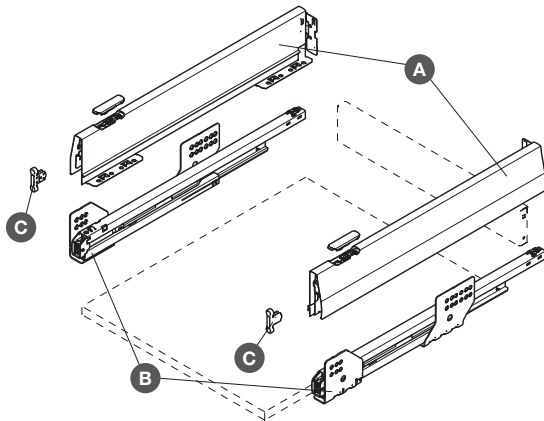
Standard drawer, 92 mm high.



- > Each packed set includes:
 - A 1 pair drawer sides
 - B 1 pair runners
 - C 2 front fixing brackets, screw fixing
- > Order fixing screws separately
- > Order qty: 1 set

- ! > Installation information is shown on page 24
- > Full product details shown on page 26-29

MX standard drawer packed set



- > Suits 16/18 mm drawer base and rear panel
- > Powder coated drawer sides

smuso



Length	30 kg	50 kg
Grey (suits 16 mm drawer base and rear panel)		
270 mm	-	551.66.520
350 mm	-	551.66.522
400 mm	551.66.503	551.66.523
450 mm	551.66.504	551.66.524
500 mm	551.66.505	551.66.525
White (suits 16 mm drawer base and rear panel)		
270 mm	-	551.66.720
350 mm	-	551.66.722
400 mm	551.66.703	551.66.723
450 mm	551.66.704	551.66.724
500 mm	551.66.705	551.66.725
Anthracite (suits 18 mm drawer base and rear panel)		
270 mm	-	551.66.330
350 mm	-	551.66.332
400 mm	551.66.313	551.66.333
450 mm	551.66.314	551.66.334
500 mm	551.66.315	551.66.335
Silver (suits 18 mm drawer base and rear panel)		
270 mm	-	551.66.930
350 mm	-	551.66.932
400 mm	551.66.913	551.66.933
450 mm	551.66.914	551.66.934
500 mm	551.66.915	551.66.935
Bronze (suits 16 mm drawer base and rear panel)		
270 mm	-	551.66.120
350 mm	-	551.66.122
400 mm	551.66.103	551.66.123
450 mm	551.66.104	551.66.124
500 mm	551.66.105	551.66.125

DRAWER SYSTEMS, STAYS AND HINGES 2015, © Häfele U.K. Ltd 2015. Dimensional data not binding. We reserve the right to alter specifications without notice.

YOU ALSO NEED:

DRAWER BACKS & BASES
Pages 54-55

FIXING SCREWS
Pages 468-470

OPTIONAL ACCESSORIES
Pages 32-50