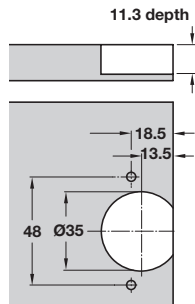
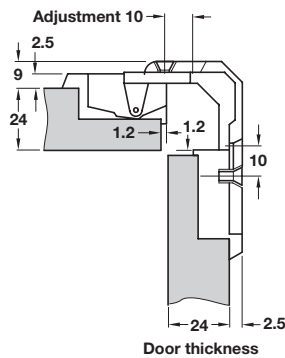
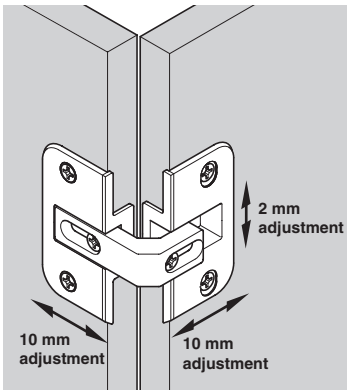


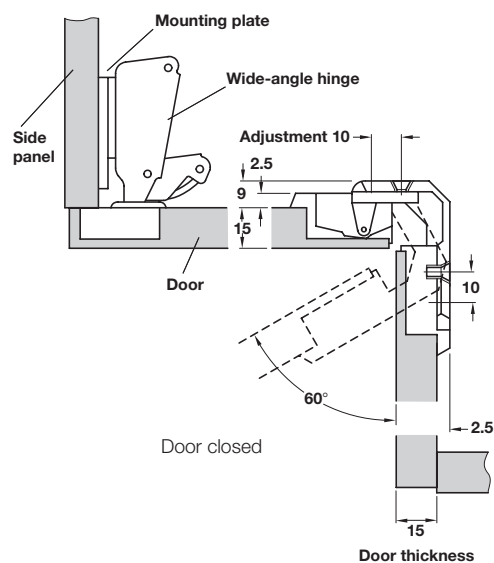
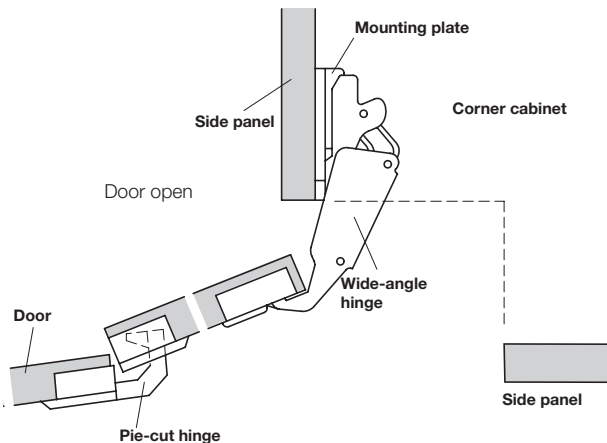
## Pie-cut corner hinge



- > Opening angle 150°
- > For variable door thickness 15 to 24 mm
- > Ø 35 mm cup
- > Screw fixing
- > Adjustable in 3 directions
- > Nickel-plated zinc alloy hinge
- > Designed to leave a small gap for air circulation
- > Order fixing screws separately
- > Order qty: Multiples of 10 pcs



Wide angle hinges are shown on page 316



Pie-cut corner hinge

Cat. No.  
343.90.700