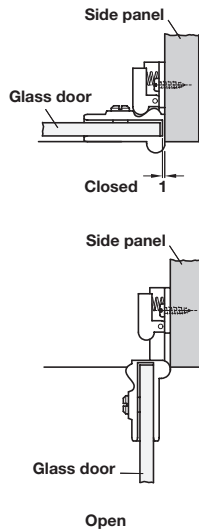
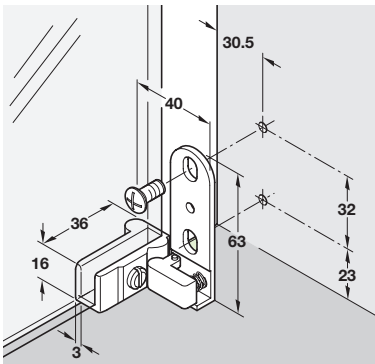


**Glass door pivot hinge, 180°**

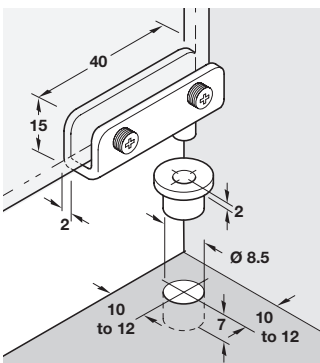
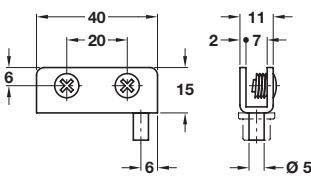


- > Maximum opening angle 180°
- > For maximum glass thickness 6.8 mm
- > For inset doors
- > Sprung
- > Minimum 2 hinges per door required
- > Black zinc alloy hinge
- > For safety reasons we recommend that toughened glass be used with these hinges
- > Order fixing screws separately
- > Order qty: 1 pair



Glass door pivot hinge Cat. No. 361.68.300

**Glass door pivot hinge, 90°**



- > With press fit bush
- > Maximum opening angle 90°
- > For maximum glass thickness 6.8 mm
- > For inset doors
- > Unsprung
- > 2 hinges (1 pair) per door required
- > Polished zinc die-cast hinge with black nylon bush
- > Order qty: 1 pair



Glass door pivot hinge Cat. No. 361.35.200

DRAWER SYSTEMS, STAYS AND HINGES 2015, © Häfele U.K. Ltd 2015. Dimensional data not binding. We reserve the right to alter specifications without notice.