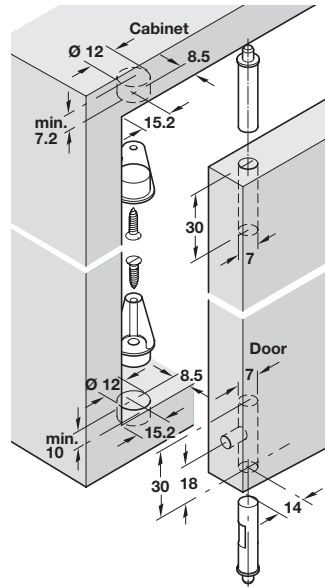


Pivot hinge, without stop

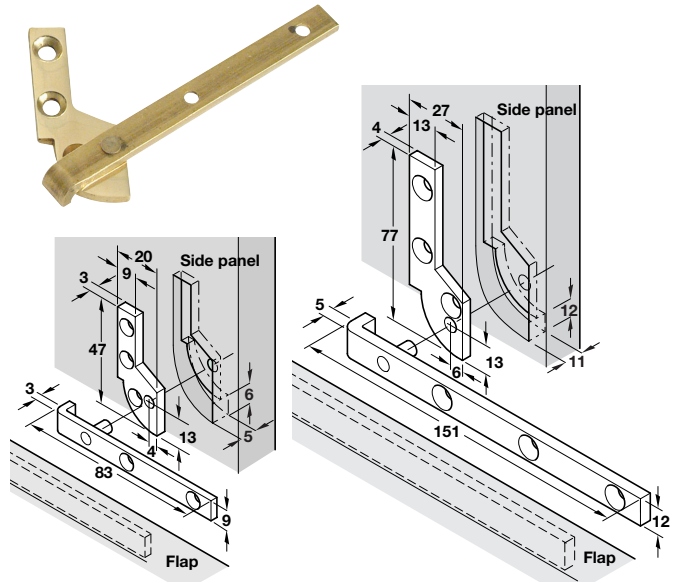


- > For flush mounted doors
- > Detachable
- > For door thicknesses from 12 to 21 mm
- > Press fit
- > Max door opening angle 140°
- > One pair per mounting
- > Plastic
- > Order fixing screws separately
- > Order qty: Multiples of 10 pairs



Finish	White	Brown	Black
Cat. No.	361.22.710	361.22.110	361.22.310

Pivot hinge for writing bureau

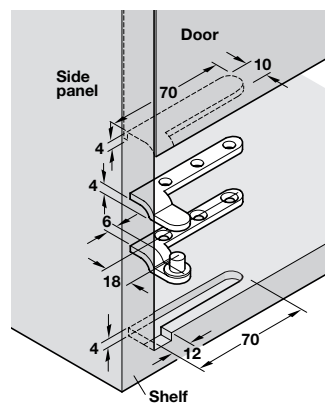


- > Drop leaf mounting
- > Smooth drawn
- > Screw fixing
- > Max. door opening angle 90°
- > One pair per mounting
- > Polished brass
- > Order fixing screws separately
- > Order qty: 1 pair



Length	80 mm	150 mm
Cat. No.	361.50.802	361.50.820

Corner pivot hinge, without stop

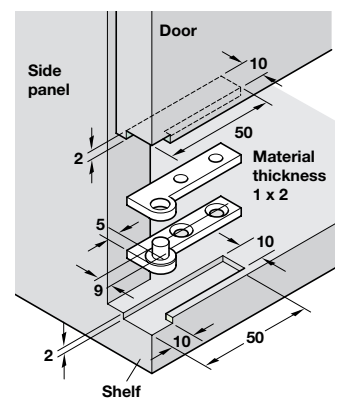


- > Cranked outer knuckle
- > Screw fixing
- > Max. door opening angle 180°
- > One pair required per mounting
- > Matt brass
- > Order fixing screws separately
- > Order qty: 1 pair



Length	70 mm
Cat. No.	362.01.500

Corner pivot hinge, without stop



- > Straight outer knuckle
- > Screw fixing
- > Max. door opening angle 250°
- > One pair required per mounting
- > Polished brass with steel pin
- > Order fixing screws separately
- > Order qty: 1 pair



Length	50 mm
Cat. No.	362.10.803