

# TIPMATIC PLUS RUNNERS FOR NOVA PRO DRAWERS

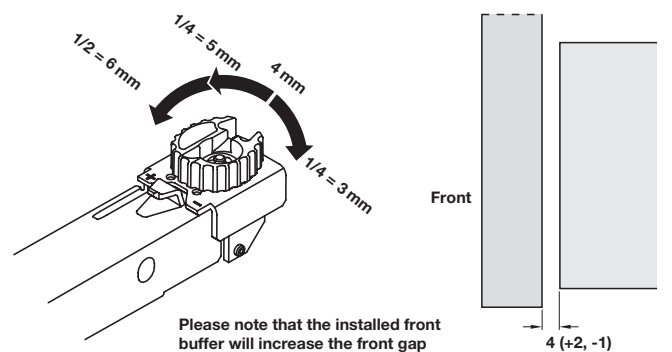
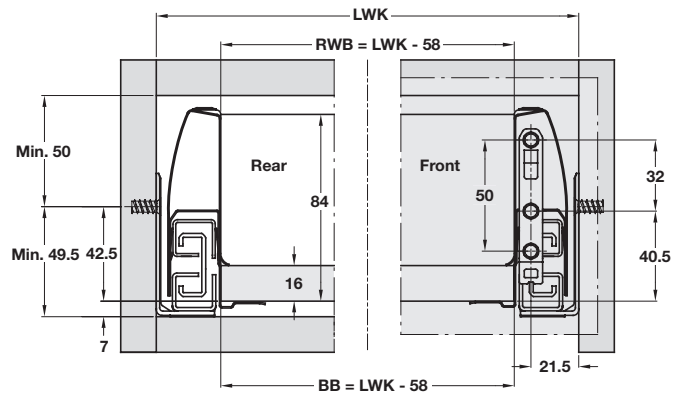
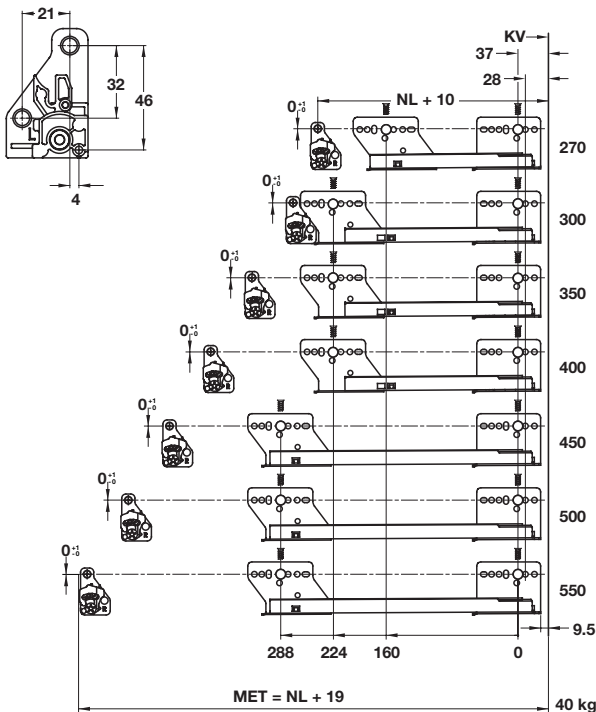
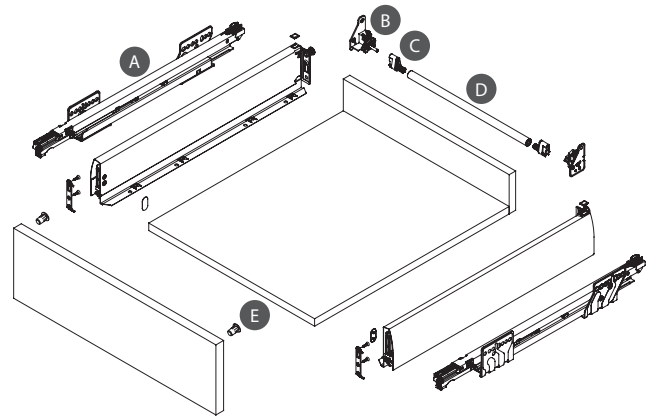
Mechanical opening system for all Nova Pro drawer systems - simply press the front of the drawer to open.



- > Mechanical opening system for all Nova Pro drawer systems instead of soft close runners, no drawer modification required
- > Touch to open - can be triggered anywhere on the surface of the front by applying pressure
- > Fully synchronised runner technology without midway knock
- > Load capacity 40 kg
- > Depth adjustment on both sides ensures precise front gap adjustment

**YOU ALSO NEED:**

- DRAWER BACKS & BASES**  
Pages 82-83
- OPTIONAL ACCESSORIES**  
Pages 80-81

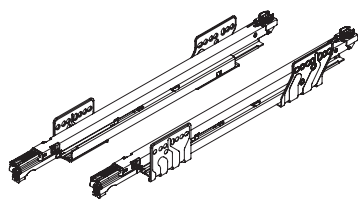


Key	
<b>KV</b>	Front edge of cabinet
<b>MET</b>	Min. installation depth
<b>NL</b>	Nominal length

DRAWER SYSTEMS, STAYS AND HINGES 2015, © Häfele U.K. Ltd 2015. Dimensional data not binding. We reserve the right to alter specifications without notice.

## Nova Pro full extension drawer runners, Tipmatic Plus

A

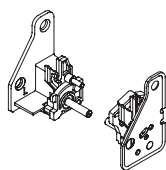


- > For use with any Nova Pro drawer side
- > Load capacity 40 kg
- > Order qty: 1 pair

Length	Cat. No.
270 mm	553.00.727
300 mm	553.00.730
350 mm	553.00.735
400 mm	553.00.740
450 mm	553.00.745
500 mm	553.00.750
550 mm	553.00.755

## Locking unit

B



- > For left and right hand use
- > Order qty: 1 pc

	Cat. No.
Locking unit	553.00.010

## Synchronisation lever

C

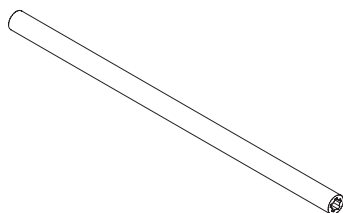


- > 2 required per drawer
- > Order qty: 1 pc

	Cat. No.
Synchronisation lever	559.99.101

## Synchronisation rod

D



- > For cutting to length, (inside cabinet width - 89 mm)
- > Order qty: 1 pc

Length	Cat. No.
1080 mm	557.99.100

## Door buffer

E



- > Spring loaded
- > Ø 5 mm, with 3 mm front gap
- > Order qty: 1 pc (2x required for drawers up to 140 mm, 4x required for drawers over 140 mm)

Finish	Cat. No.
Grey plastic	553.00.391