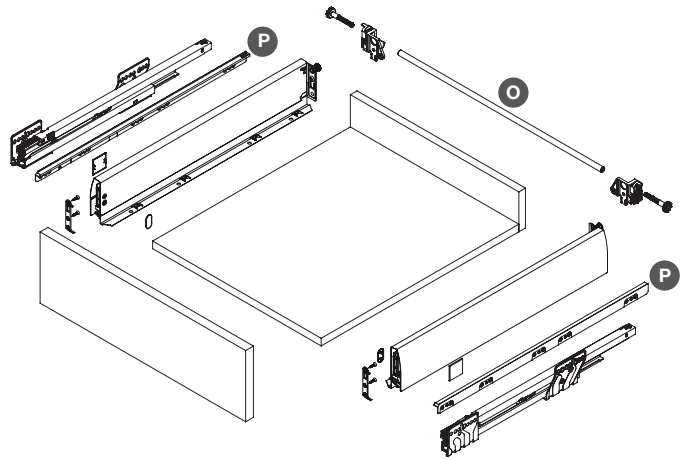
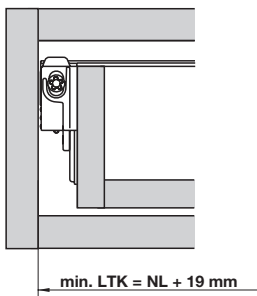


# INSTALLATION TOOLS

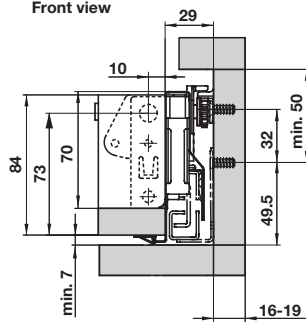
For use with Nova Pro system drawers.



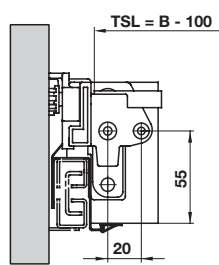
### Installation dimensions



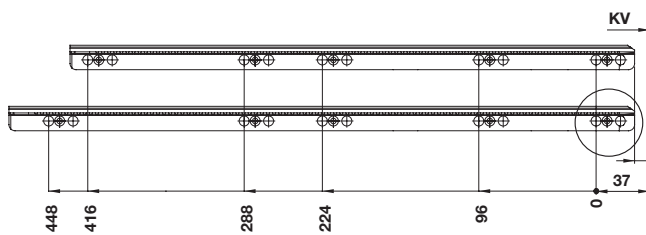
### Front view



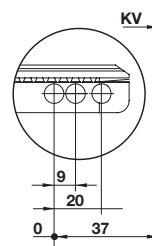
### Rear view



### Installation of gliding channel



NL	LTK
450	469
500	519



## Nova Pro side stabilising device

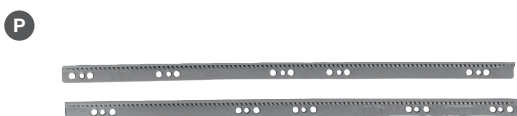


- > Set includes:
  - 1x Torsion bar
  - 1x Left support
  - 1x Right support
  - 2x Pinions
- > Order qty: 1 set



For drawer width	Cat. No.
1200 mm	557.99.385
1500 mm	557.99.396

## Nova pro gliding channel



- > Order qty: 1 pair



Length	Cat. No.
450 mm	557.99.580
500 mm	557.99.581