

## FLAT GOLA 66 mm horizontal drawer profile

C

NEW



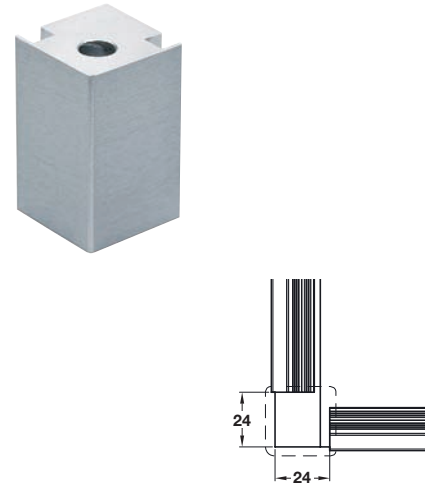
- > Fixing under drawer
- > Installation: Choice of 3 fixing methods. Screw fixing with corner fixing set, dowel fixing supports with clip or screw fix with  $\varnothing$  4.5 mm screws (not included)
- > Anodised aluminium, stainless steel finish
- > Order qty: 1 pc

| Length | Cat. No.   |
|--------|------------|
| 450 mm | 126.36.080 |
| 600 mm | 126.36.081 |
| 900 mm | 126.36.082 |

## FLAT GOLA 90° external corner connector

D

NEW



- > For connecting horizontal top profiles at corners
- > Anodised aluminium
- > Order qty: 1 pc

| Finish          | Cat. No.   |
|-----------------|------------|
| Stainless steel | 126.36.060 |

