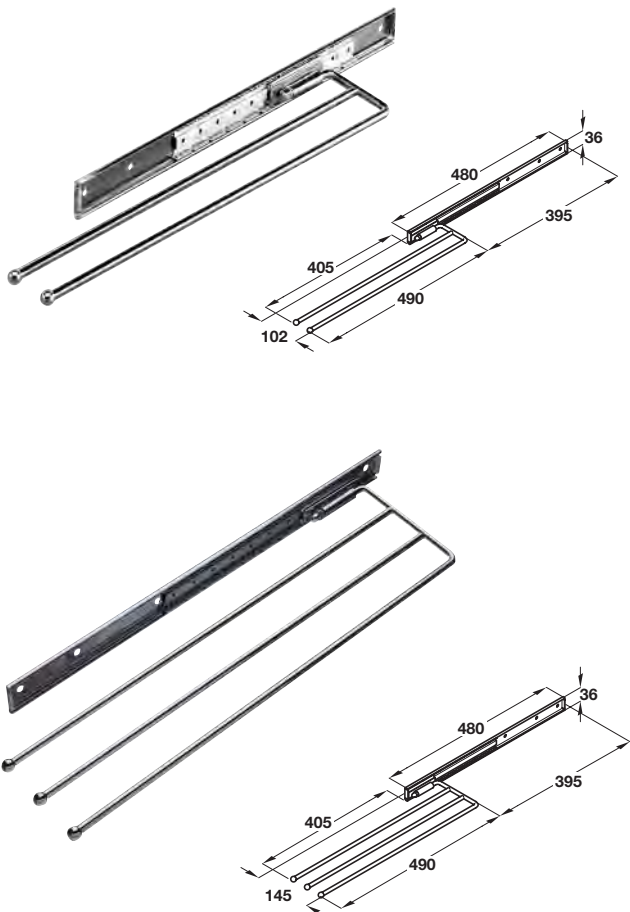


TEA TOWEL RAILS

Two or three arm towel rails for installation within cabinets or under worktops.



Steel towel rail, 2 or 3 arm



- > Installed length 495 mm
- > Extension length 395 mm
- > Side or top mounting, for fitting left or right within a cabinet or under a worktop
- > Incorporating ball bearing runner
- > Polished chrome-plated steel
- > Order fixings separately
- > Order qty: 1 pc

	Side Mounting	Top Mounting	Unhanded
Finish	With 2 arms	With 3 arms	
	510.37.220	510.37.239	



KITCHEN ACCESSORIES 2015, © Hafele U.K. Ltd 2015. Dimensional data not binding. We reserve the right to alter specifications without notice.