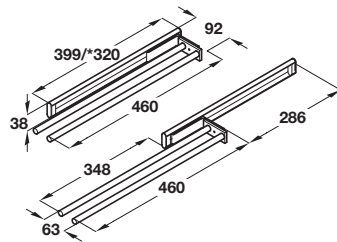


## Towel rail, 2 arm

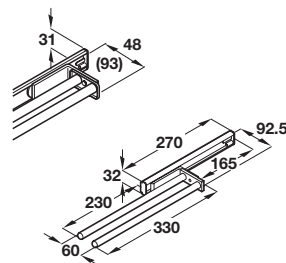


- > By adjusting the position of the mounting bar through 90° can be fitted left or right within a cabinet or under a worktop
- > Installed length 460 mm
- > Extension length 347 mm
- > Runners have three position rollers
- > Silver anodised aluminium mounting bar and rail with plastic end caps
- > Order qty: 1 pc

Side Mounting	Top Mounting	Unhanded	Fixings included <input checked="" type="checkbox"/>
---------------	--------------	----------	--

Finish	Cat. No.
Silver anodised	510.50.929

## Towel rail, 2 arm

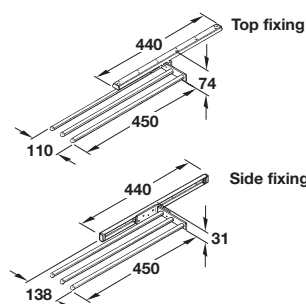
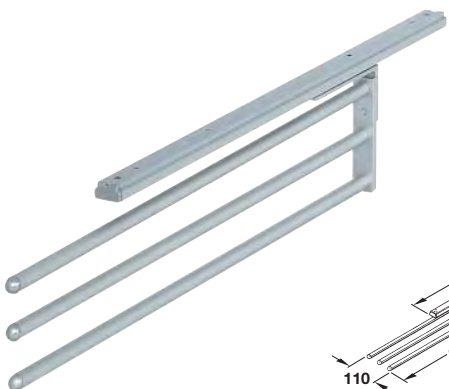


- > By adjusting the position of the mounting bar through 90° can be fitted left or right within a cabinet or under a worktop
- > Installed length 340 mm
- > Extension length 160 mm
- > Available in polished chrome or silver anodised finish
- > Aluminium runner and rails, plastic running gear
- > Order qty: 1 pc

Side Mounting	Top Mounting	Unhanded	Fixings included <input checked="" type="checkbox"/>
---------------	--------------	----------	--

Finish	Cat. No.
Polished chrome	510.51.224
Silver anodised	510.51.924

## Towel rail, 3 arm



- > By adjusting the position of the mounting bar through 90° can be fitted left or right within a cabinet or under a worktop
- > Installed length 465 mm
- > Extension length 305 mm
- > Silver anodised aluminium mounting bar and rail with plastic end caps
- > Order qty: 1 pc

Side Mounting	Top Mounting	Unhanded	Fixings included <input checked="" type="checkbox"/>
---------------	--------------	----------	--

Finish	Cat. No.
Silver anodised	510.50.935