

## PULL OUT TABLES AND FITTINGS



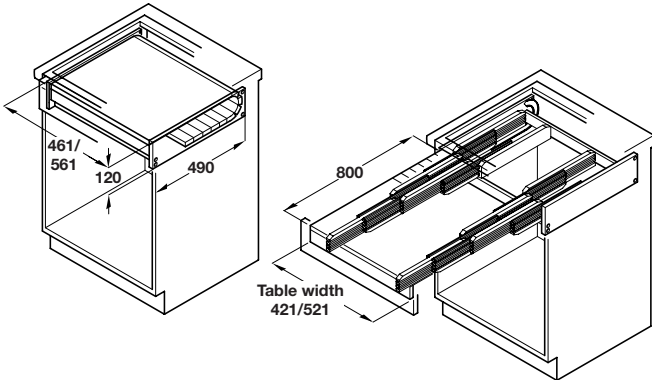
### Rapid pull out table



White/grey flecked

Stainless steel effect

Beech effect

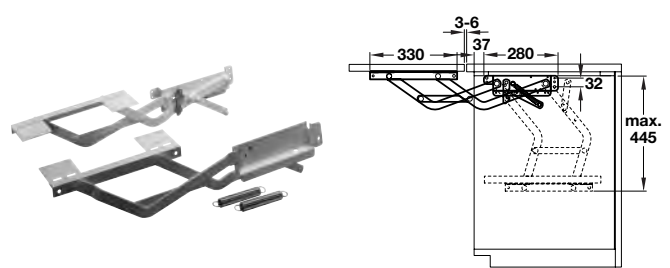


- > Self supporting table
- > A complete assembly for installation in place of a drawer in a standard 500 or 600 mm wide base cabinet
- > Load bearing capacity 100 kg
- > Wooden assembly section and guides
- > Partially slatted laminated table top
- > Order qty: 1 pc



For cabinet width	500 mm	600 mm
White/grey flecked	505.58.700	505.58.702
Stainless steel effect	-	505.58.002
Beech effect	-	505.58.302

### Foldaway fittings



- > For holding kitchen appliances
- > In fully extended position the shelf lies flush with the worktop
- > Lift up to release the locking mechanism when returning to stored position
- > Load bearing capacity 8 kg
- > For cabinet widths 350 - 600 mm.  
Installation width is optional between 300 mm and 568 mm as the two arms are completely separate
- > The cranked mounting brackets prevent the door hinges fouling the shelf when raised
- > When mounted directly beneath the worktop the smallest remaining usable height within the cabinet is 340 mm
- > Galvanized steel 150N tension springs
- > Lacquered steel
- > Please note: Shelf is not included
- > Order qty: 1 set

Finish	Cat. No.
White lacquered	504.22.421

### Tension spring

- > Replacement spring for item 504.22.421
- > Steel
- > Order qty: 1 pc

Finish	Cat. No.
Galvanized	504.22.994