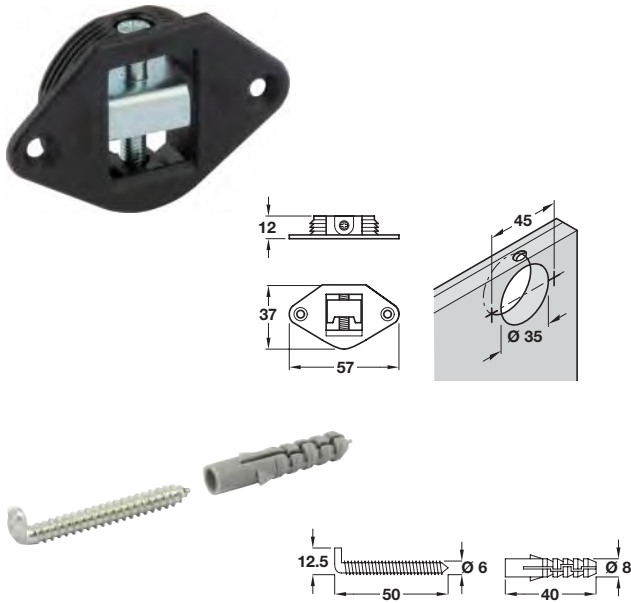


CONCEALED HANGERS

Hanging brackets for fixing mirrors, panels and small wall cabinets.

Concealed bracket, with embedded bracket and screw hook set

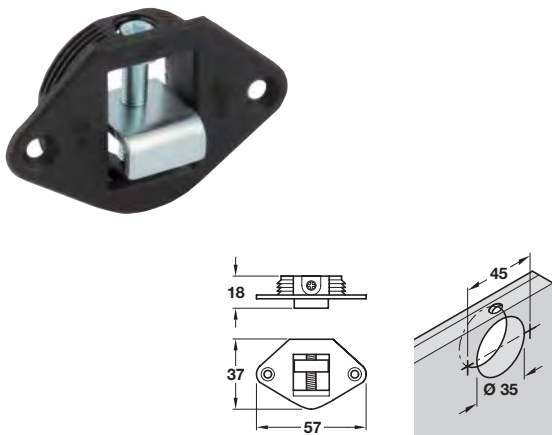


- > For use with screw hook included
- > Adjustable coupling for fastening panels and mirrors
- > A through hole from the top end panel allows you to adjust the bracket and get the panel perfectly level
- > Enables panels to be adjusted, removed and secured again with extreme ease
- > Load carrying capacity 40 kg per hanger when used with the screw hook
- > Nylon box with steel hooks
- > Order fixings separately
- > Order qty: 1 set



Finish	Cat. No.
Black	291.04.312

Concealed bracket, with external bracket



- > For use with wall plate Cat. No. 290.08.921, shown below
- > Adjustable coupling for fastening panels and mirrors
- > A through hole from the top end panel allows you to adjust the bracket height and get the panel perfectly level
- > Enables panels to be adjusted, removed and secured again with extreme ease
- > Load carrying capacity 60 kg per hanger when used with wall plate shown below
- > Nylon box with steel hooks
- > Order fixings separately
- > Order qty: 1 pc

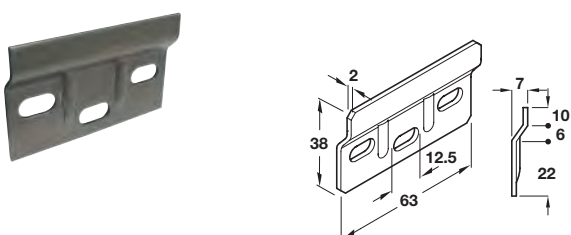


Finish	Cat. No.
Black	291.04.311



Wall plate must be ordered separately, shown below

Wall plate



- > For use with concealed brackets
- > Bright steel
- > Order fixings separately
- > Order qty: Multiples of 100 pcs



Plate thickness	Cat. No.
2 mm	290.08.921