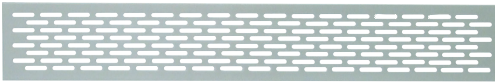
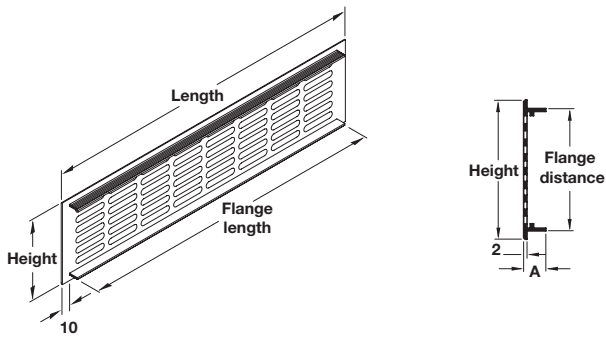


Ventilation grills

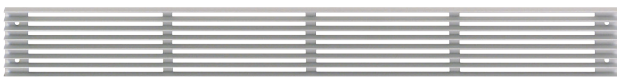


- > Recess mounting
- > Bevelled front edges and ribbed flanges
- > Light alloy
- > Order qty: 1 and 100 pcs

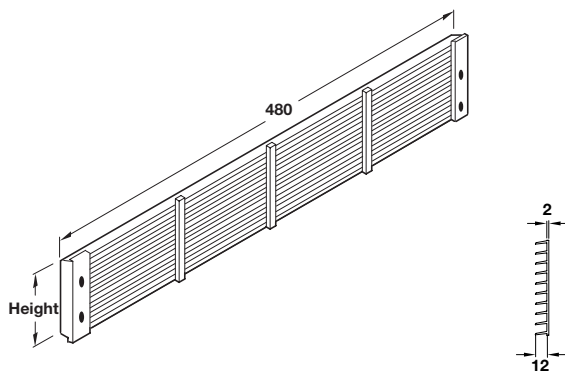
60 mm height Flange distance: 46 mm, A = 15 mm		
Length	250 mm	1000 mm
Flange length	228 mm	978 mm
Ventilation area	45 cm ²	186 cm ²
Silver F1	575.20.911	575.20.915
Bronze F5	575.20.111	
100 mm height Flange distance: 86 mm, A = 15 mm		
Length		1000 mm
Flange length		978 mm
Ventilation area		368 cm ²
Silver F1		575.20.935
130 mm height Flange distance: 116 mm, A = 13.5 mm		
Length		1000 mm
Flange length		978 mm
Ventilation area		490 cm ²
Silver F1		575.20.945
150 mm height Flange distance: 136 mm, A = 15 mm		
Length	250 mm	1000 mm
Flange length	228 mm	978 mm
Ventilation area	148 cm ²	368 cm ²
Silver F1	575.20.951	575.20.955



Ventilation grill, louvre type



- > Surface mounted
- > Screw fixing using holes located on mounting plates at each end
- > Louvre type ventilation slots
- > Anodised aluminium in matt silver finish
- > Order qty: 1 pc



Ventilation area	Height	Cat. No.
147 cm ²	52 mm	575.08.924
327.6 cm ²	104 mm	575.08.960