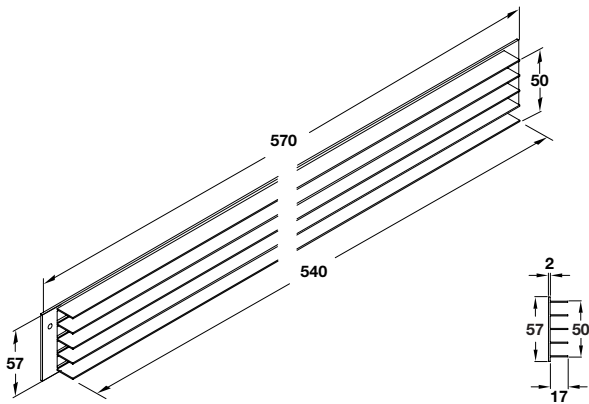


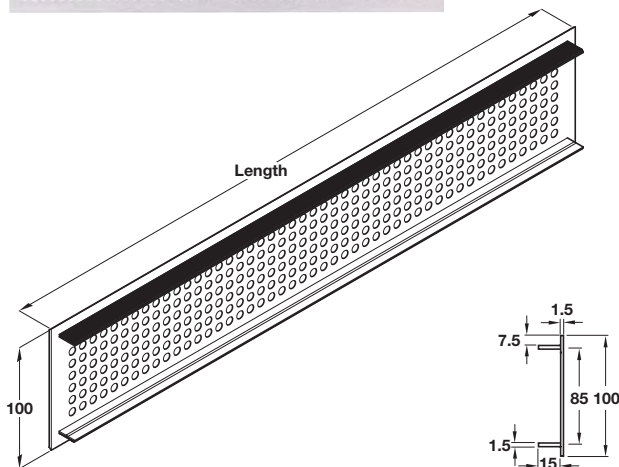
Ventilation grill



- > 200 cm² Ventillation area
- > For recess mounting
- > Screw fixing
- > Long front edges bevelled
- > With 87 x 9 mm rectangular slots arranged in parallel
- > Aluminium
- > Order qty: 10 pcs

Finish	Cat. No.
Silver F1	575.24.900
Dark bronze B7	575.24.204
White RAL 9010	575.24.606

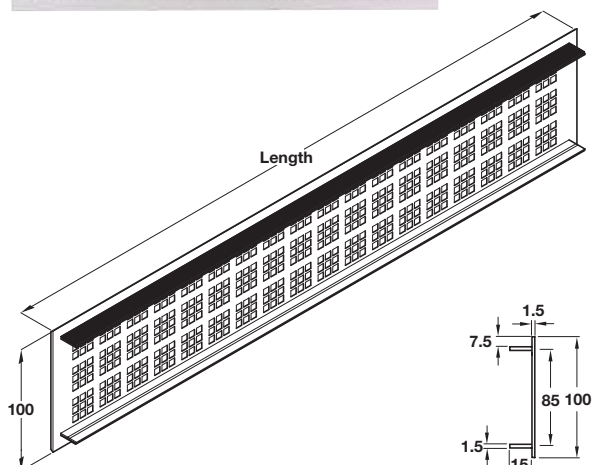
Ventilation grill



- > With straight notched 7.5 mm ribbed flanges on both sides for press fitting
- > With round holes
- > Anodised aluminium
- > Order qty: 1 pc

Ventilation area	Length	Max. installation dims.	Silver F1
91.1 cm ²	500 mm	485 x 85 mm	575.26.934
184.2 cm ²	1000 mm	985 x 85 mm	575.26.935
370.4 cm ²	2000 mm	1985 x 85 mm	575.26.936

Ventilation grill with square holes



- > With straight notched 7.5 mm ribbed flanges on both sides for press fitting
- > Anodised aluminium
- > Order qty: 1 pc

Ventilation area	Length	Max. installation dims.	Silver F1
120.5 cm ²	500 mm	485 x 85 mm	575.27.934
255.5 cm ²	1000 mm	985 x 85 mm	575.27.935