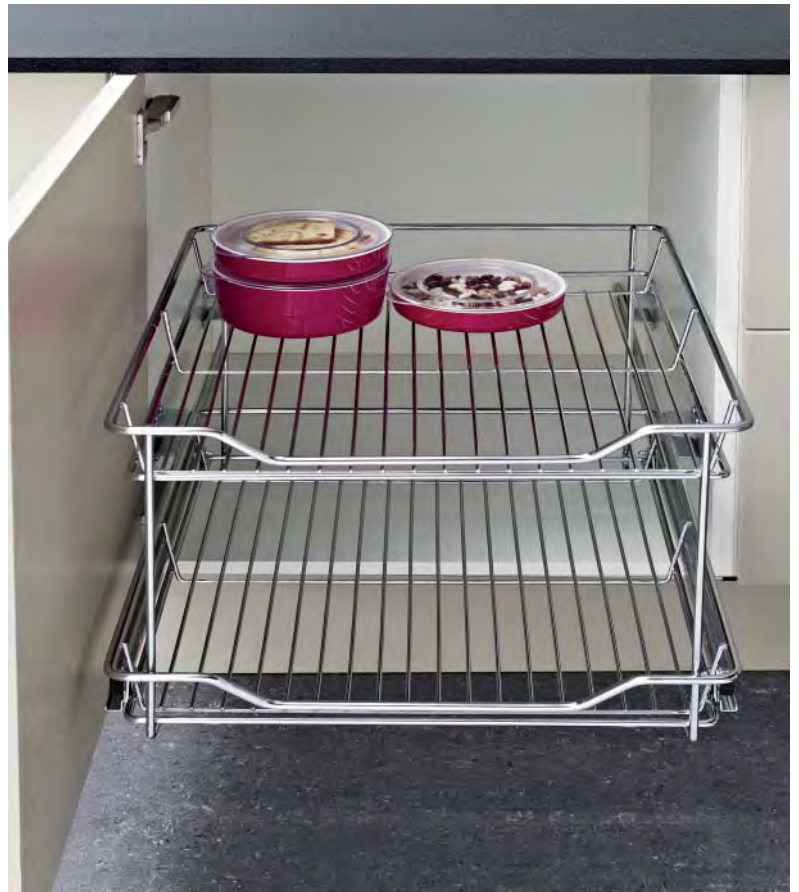


PULL OUT STORAGE BASKET SETS

Suitable for hinged door cabinets.
Linear chrome wire.

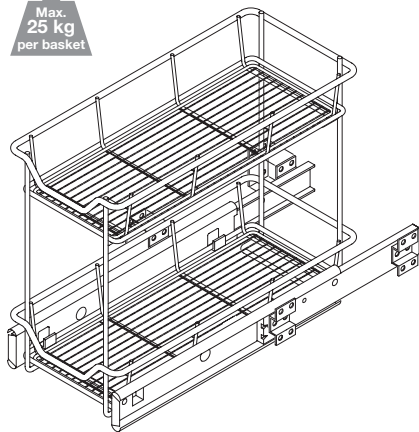


500 mm version shown



Set includes two tier interconnected basket unit; baskets pull out together and cannot be separated

Pull out storage basket sets



300 mm version shown

- > Installed height: 350 mm
- > Built in depth: 450 mm
- > Suitable for hinged door cabinets with 15/16 or 18/19 mm board thickness
- > Set includes:
 - 1 x Two tier storage basket, heavier gauge chrome-plated steel linear base basket
 - 1 x Pair ball bearing runners for side fixing, galvanized steel, full extension
- > Order qty: 1 set



For cabinet width / basket width	Cat. No.
300 / 200 mm	540.48.212
500 / 400 mm	540.48.216