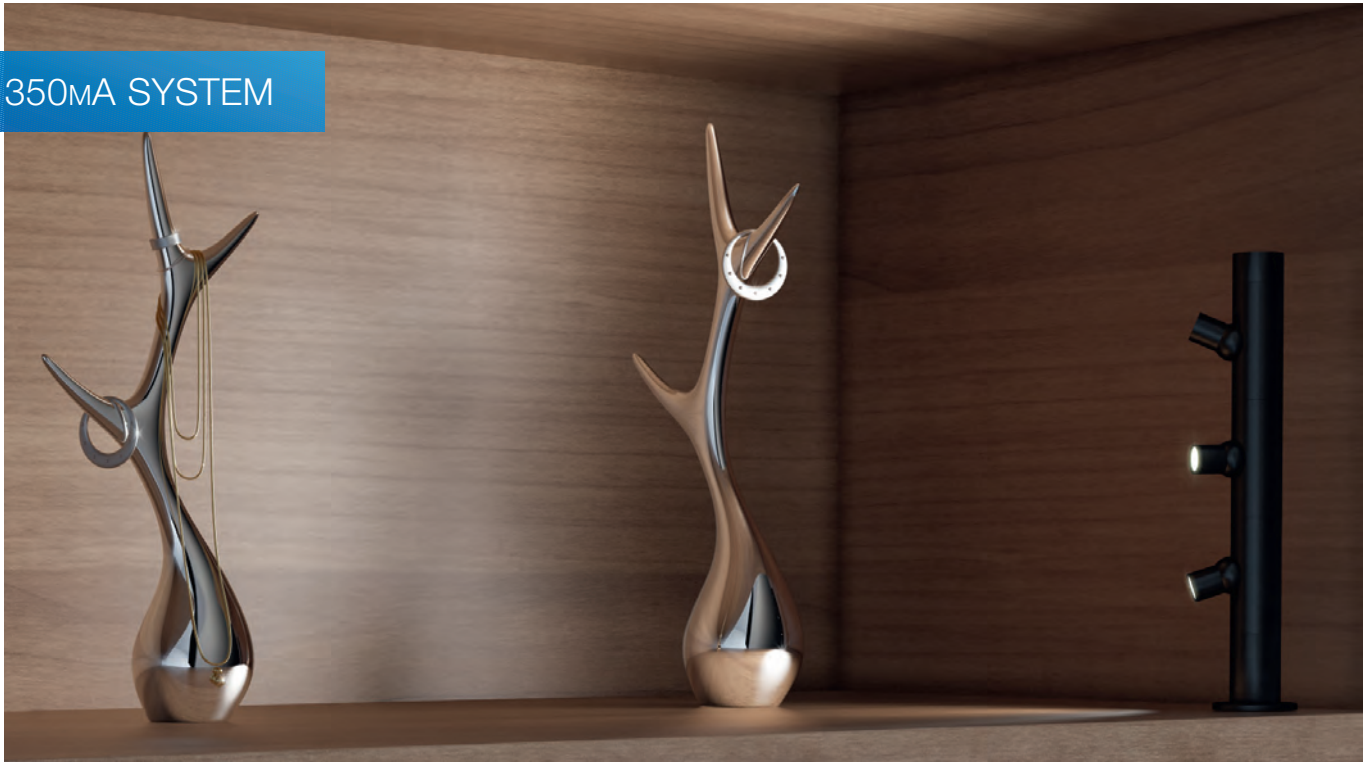


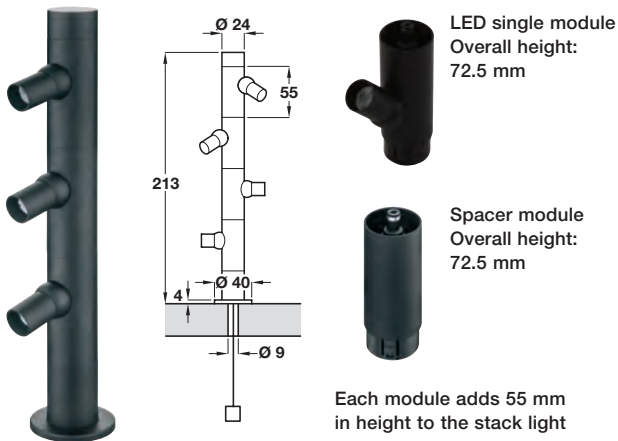
LOOX 350mA LED 4010 STACK LIGHT

Stack light comes with three lights which can be positioned individually to spotlight certain areas as required.

350mA SYSTEM



Loox 350mA LED 4010 stack light



- > For surface mounting, Ø 9-11 mm drill hole required for lead
- > Screw fixing
- > Voltage: 350mA. Wattage: 3W = 3x 1W per module
- > With 2.0 m lead with Loox 350mA connector
- > Black anodised aluminium
- > Order qty: 1 pc

Output:	4000 K
Light colour:	Cool white
Wattage (W):	3 (1W/module)
Energy efficiency:	A+
Number of diodes:	3 (1/module)
Light output (Lm):	213 (71Lm/module)
Efficacy (Lm/W):	71
Colour Rendering Index:	85

Distance	25°	4000 K
250 mm		4923 Lx
500 mm		1231 Lx
750 mm		547 Lx
1000 mm		307 Lx



Optional LED light or spacer modules available separately - max. additional 5 lights and 4 spacers may be added

Stack light (with 3 LED light modules)	4000 K
Black	833.80.010
Optional modules	Cat. No.
LED 4010 single module, 4000 K	833.80.011
Single spacer module	833.80.012

YOU ALSO NEED:

DRIVER
Page 165

SWITCH
Pages 167-170

OPTIONAL ACCESSORIES
Pages 166, 171