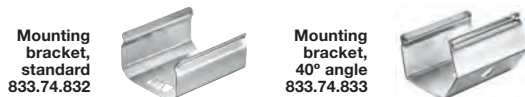
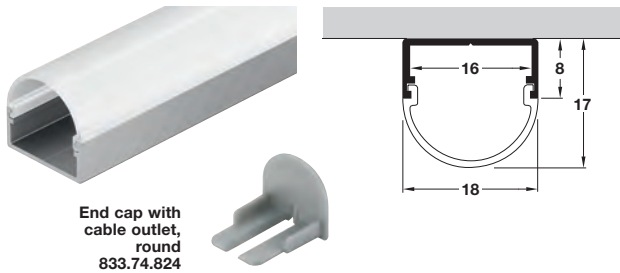
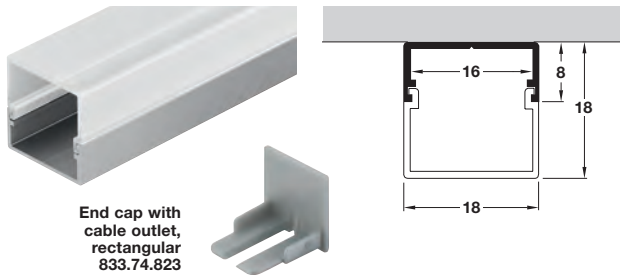


LOOX PROFILES AND CORNICE OVER CABINET BRACKETS

The bracket arm enables over cabinet lighting when used with the round/rectangular profiles and an LED flexible strip light. Up to 1.5 m in length between brackets.

Loox aluminium profile, 17/18 mm height, for Loox LED flexible strip lights, surface mounting

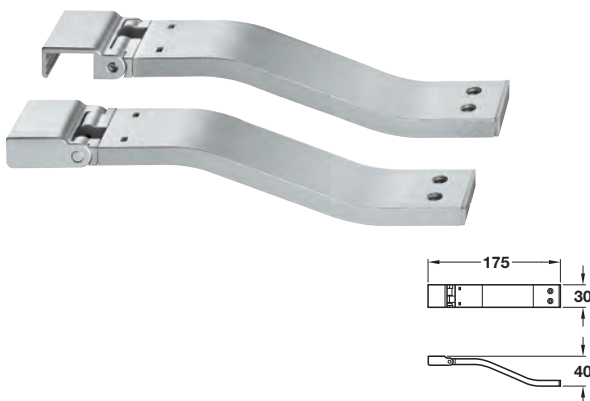


- > Order profile and end caps separately
- > For surface mounting
- > With milky plastic cover
- > Silver coloured anodised aluminium profile
- > Order qty:
 - Profile: 1 pc.
 - End caps: 1 pair
 - Mounting brackets: 1 pair

Profile with milky cover	Rectangular	Round
2500 mm length	833.74.813	833.74.814
End caps - Order separately	Rectangular	Round
Silver coloured plastic	833.74.823	833.74.824
Mounting brackets - Order separately	Standard	40° angle
Silver coloured stainless steel	833.74.832	833.74.833

Diffuser	Visible LED points					
	LED 2029	2037	2043	2045	3013	3015
Milky rectangular	X	X	✓	X	✓	X
Milky round	X	X	✓	X	✓	X

Loox cornice over cabinet bracket for light profiles



- > Surface mounting
- > The bracket arm enables over cabinet lighting when used with the round/rectangular profiles and a LED flexible strip light
- > Up to 1.5 m in length between brackets
- > Can be swivelled 30° horizontally
- > Supplied with:
 - 1x pair mounting arms
 - 2x end caps for rounded profile
 - 2x end caps for rectangular profile
- > Anodised aluminium
- > Order qty: 1 pair



➔ Mounting arm for profiles 833.74.813 and 833.74.814. Order profiles separately, shown above

Finish	Cat. No.
Silver coloured	833.74.834

LIGHTING AND ELECTRICAL 2015, © Häfele U.K., Ltd 2015. Dimensional data not binding. We reserve the right to alter specifications without notice.