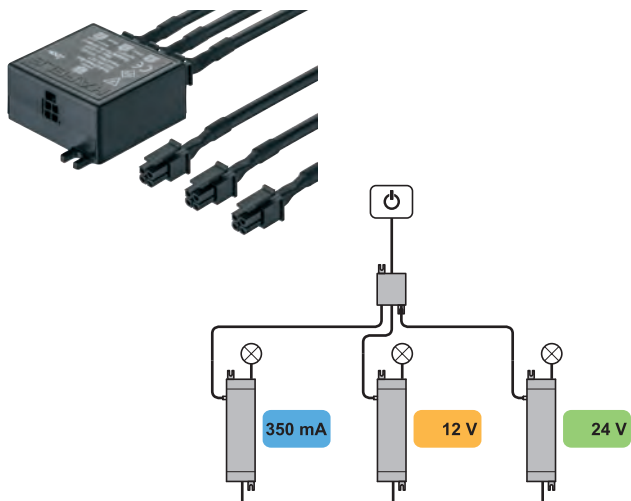


Loox multi driver box



- > Combine up to 3 drivers and switch them with one single switch
- > For all applications needing more power or central switching
- > All Loox switches can be used
- > Wattage: max. 3x 75W (stand-by power consumption 1.5W)
- > 3x 1 m connecting leads included
- > 40 x 38 x 17 mm
- > Plastic
- > Order qty: 1 pc



Finish

Black

Cat. No.

833.89.061

Loox multi switch box



833.89.060

833.89.064

- > Switch one single driver with up to 3 switches
- > Wattage: max. 75W
- > 40 x 38 x 17 mm
- > 1x 1 m connecting lead included
- > Function:
Without change-over switch - switch must be switched on and off from the same position
With change-over switch - switch can be switched on from one position and off from another
- > Black plastic
- > Order qty: 1 pc



Function

Without change-over switch

With change-over switch

Cat. No

833.89.060

833.89.064



Not suitable for use with dimmer switch

Loox multi driver / switch optional cables



For use with multi driver box and multi switch box shown above

- > Black plastic
- > Order qty: 1 pc

Length

500 mm

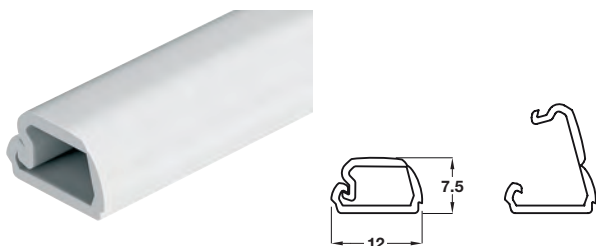
2000 mm

Cat. No.

833.89.068

833.89.069

Cable channels



- > Length: 2500 mm
- > For concealing visible cables in furniture and cabinets
- > With self adhesive tape
- > Order qty: 1 pc

Finish

White

Brown

Black

RAL 9010

RAL 8007

RAL 9005

Cat. No.

833.89.013

833.89.023

833.89.033