

VAUTH SAGEL CORNERSTONE® PLUS STORAGE UNIT

NEW

1

Easy to assemble pull out shelving unit with shelves that operate independantly. Both shelves can be closed with the door or manually. Once open shelves do not block adjoining cabinets.

Kitchen Fittings and Accessories: Storage



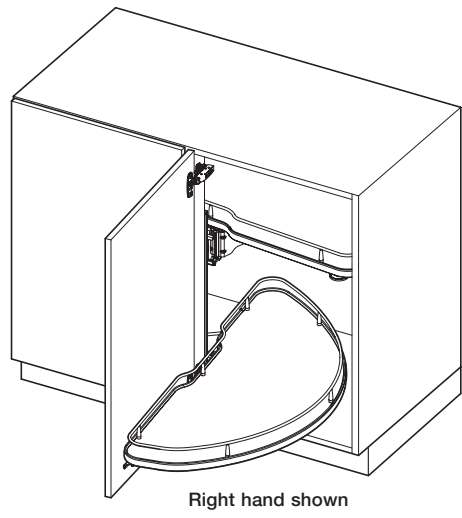
Cornerstone® Plus pull out shelving unit with white bases and chrome railing, right hand

- > Easy to assemble pull out shelving unit
- > Single fixing point on cabinet centre post
- > Shelves operate independantly
- > Both shelves can be closed with the door or manually
- > Shelves extend 85% outside of cabinet
- > Once open shelves do not block adjoining cabinets
- > Each shelf has a 20 kg load capacity

Cornerstone® Plus pull out shelving unit with railing

NEW

Max. 20 kg per shelf



Right hand shown

- > Suitable for 800, 900 or 1000 corner base cabinets
- > Built-in depth: 485 mm
- > Min. installation height: 520 mm
- > Single fixing point on cabinet centre post
- > Shelves pull out independently
- > Set includes:
 - 2x Laminated wooden shelves, with a white base and polished chrome rail or grey base with silver painted rail
 - 1x Pull-out and pivoting mechanism
 - Fitting instructions
- > Order qty: 1 set

Side Mounting

Handed
L
R

800

900

1000

Soft Closing

Fixings included

Cornerstone® Plus pull out unit with shelves, white base with chrome rail



Right hand shown

For cabinet width	For door width	Left hand	Right hand
800 mm	400 mm	542.03.242	542.03.241
900 mm	450 mm	542.03.247	542.03.246
1000 mm	500 mm	542.03.252	542.03.251

Cornerstone® Plus pull out unit with shelves, grey base with silver painted rail



Right hand shown

For cabinet width	For door width	Left hand	Right hand
800 mm	400 mm	542.03.942	542.03.941
900 mm	450 mm	542.03.947	542.03.946
1000 mm	500 mm	542.03.952	542.03.951

DESIGN 2016. © Häfele U.K. Ltd 2016. Dimensional data not binding. We reserve the right to alter specifications without notice.