

SERIES 3 ELECTRIC WARDROBE LIFT



Controlled by a remote control, this electrically powered wardrobe lift makes accessing and storing items in the wardrobe incredibly easy.

2

Bedroom Fittings and Accessories: Wardrobe Fittings



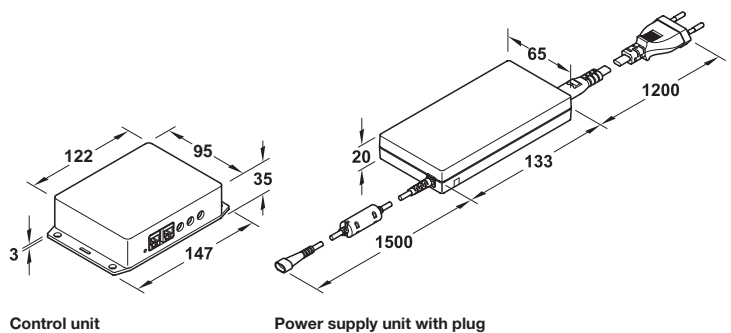
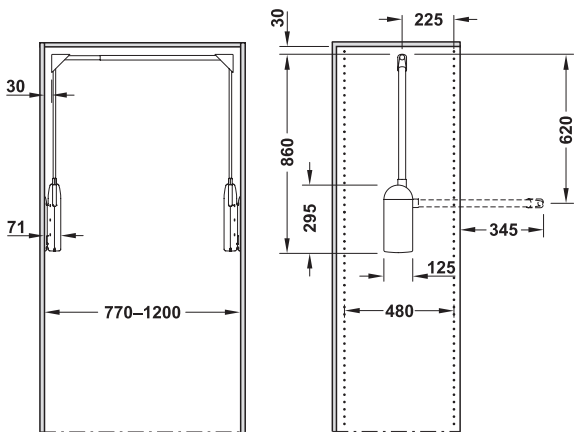
Single button remote control included



Additional remote control available to order separately - to control up to 10 wardrobe lifts



The wardrobe lift is supplied with one sensor. For sliding doors only one sensor is required. An additional security sensor will need to be ordered separately for double door applications, shown on page 45



Control unit

Power supply unit with plug

DESIGN 2016, © Häfele U.K. Ltd 2016. Dimensional data not binding. We reserve the right to alter specifications without notice.

Series 3 Electric wardrobe lift



- > Installed height: 860 mm
- > Width: 770-1200
- > For mounting on side panel
- > Installed with a pre-installation support to facilitate the connections with the electric cables and the installation to the wardrobe sides
- > Nominal voltage: 100-240 V / 50-60 Hz
- > Wattage: 60 W
- > Load capacity: 15 kg
- > Supplied with
 - 1x Wardrobe lift
 - 1x Control unit with 2 connecting cables
 - 1x Power supply unit with plug
 - 1x Safety sensor
 - 1x Single button remote control
 - 2x Drilling jigs
 - Fixing material
- > Steel wardrobe rail, plastic housing and connecting parts
- > Order qty: 1 pc



The wardrobe lift is supplied with one sensor. For sliding doors only one sensor is required. An additional security sensor will need to be ordered separately for double door applications, shown below

Finish	Cat. No.
White/Polished chrome	805.23.743

Multi-function remote control for Series 3 electric wardrobe lift

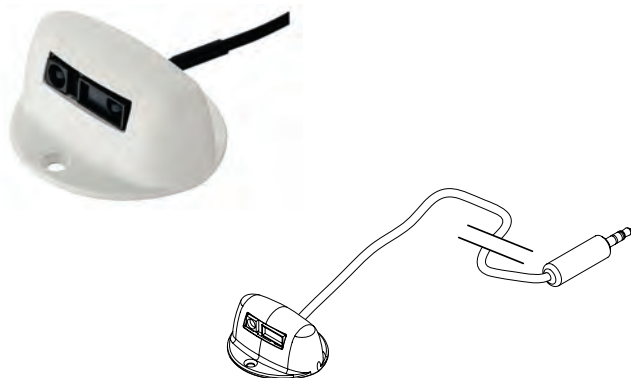


- > Optional remote control for Series 3 electric wardrobe lift
- > Enables you to activate up to 10 electric wardrobe lifts
- > Height x length x width: 16 x 110 x 50 mm
- > Battery included
- > Black plastic
- > Order qty: 1 pc



Item	Cat. No.
Multi-function remote control	805.23.999

Security sensor for Series 3 electric wardrobe lift



- > For Series 3 electric wardrobe lift
- > For screw fixing to top panel
- > Height x width x depth: 27 x 60 x 53 mm
- > White plastic
- > Order qty: 1 pc



Item	Cat. No.
Security sensor	805.23.997

DESIGN 2016. © Häfele U.K. Ltd 2016. Dimensional data not binding. We reserve the right to alter specifications without notice.