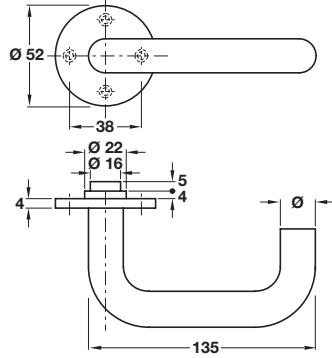


SNOWDON round section lever handles, grade 316 stainless steel

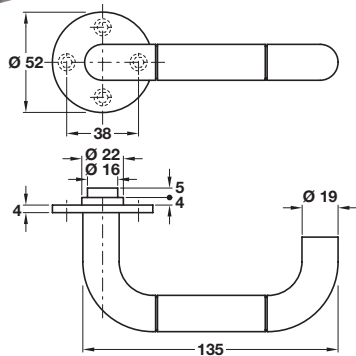


- > Pair of lever handles and roses
- > Grub screw fixing on 8 mm spindle
- > Unsprung, for use with heavy duty followers
- > To suit doors 35-54 mm thick
- > Grade 316 stainless steel
- > Order qty: 1 pair



Finish	Ø 16 mm	Ø 19 mm	Ø 22 mm
Satin stainless steel	902.20.640	902.20.650	902.20.660
Polished stainless steel	902.20.641	902.20.651	902.20.661

MONTSERRAT Ø 19 mm lever handles, grade 316 stainless steel

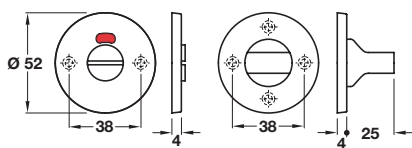


- > Pair of lever handles and roses
- > Grub screw fixing on 8 mm spindle
- > Unsprung, for use with heavy duty followers
- > To suit doors 35-54 mm thick
- > Grade 316 stainless steel
- > Order qty: 1 pair



Finish	Cat. No.
Polished/matt stainless steel	902.21.017

WC/emergency release and inside turn, grade 316 stainless steel



- > To suit doors up to 44 mm thick
- > 5 mm spindle and fixings included
- > Grade 316 stainless steel
- > Order qty: 1 set



Finish	Cat. No.
Satin stainless steel	902.53.870
Polished stainless steel	902.53.871
PVD satin copper	902.53.388
PVD bright copper	902.53.389



- > Co-ordinating escutcheons also available see page 11
- > Co-ordinating pull handles are shown on page 143