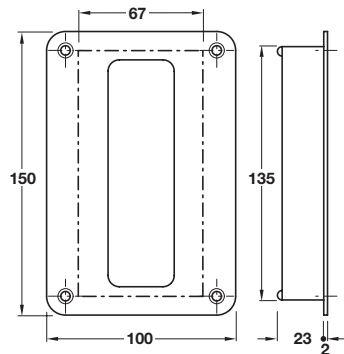


GRADE 316 STAINLESS STEEL

Perfect for sliding doors. Available in a wide range of materials and finishes.

Flush pull handle

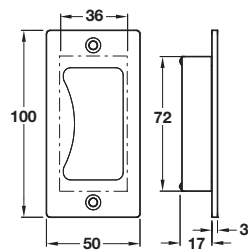


- > Suitable for use on swing and sliding timber doors
- > Grade 316 stainless steel
- > Other finishes available to order, subject to quantity
- > Order fixing screws separately
- > Order qty: 1 pc (1 pc required per panel)



Finish	Cat. No.
Satin stainless steel	910.37.100

Flush pull handle

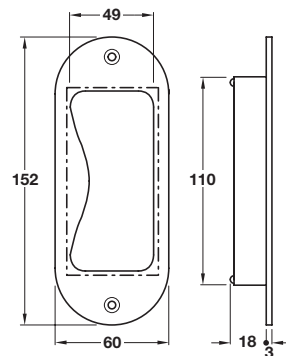


- > Suitable for use on sliding timber doors
- > Grade 316 stainless steel
- > Other finishes available to order, subject to quantity
- > Order qty: 1 pc



Finish	Cat. No.
Satin stainless steel	902.00.570

Flush pull handle

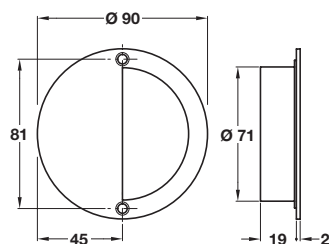


- > Suitable for use on swing and sliding timber doors
- > Grade 316 stainless steel
- > Order qty: 1 pc



Finish	Cat. No.
Satin stainless steel	902.04.320
Polished stainless steel	902.04.321

Flush pull handle



- > Suitable for use on swing and sliding timber doors
- > Grade 316 stainless steel
- > Order qty: 1 pc



Finish	Cat. No.
Satin stainless steel	902.00.500
Polished stainless steel	902.00.501