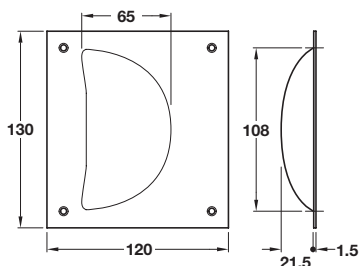


1

GRADE 304 STAINLESS STEEL

A wide range of flush pull handles designs in quality Grade 304 stainless steel.

Flush pull handle, grade 304 stainless steel

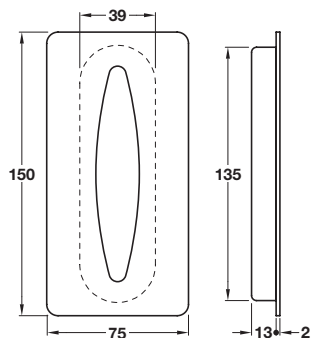


- > Suitable for use on swing and sliding timber doors
- > Grade 304 stainless steel
- > Order qty: 1 pc



Finish	Cat. No.
Dull brushed stainless steel	902.00.560

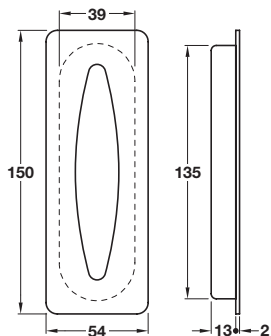
Flush pull handle, 150 x 75 mm, grade 304 stainless steel



- > Suitable for sliding timber doors
- > Glue fixing
- > Grade 304 stainless steel
- > Order qty: 1 pc

Finish	Cat. No.
Satin stainless steel	903.07.260

Flush pull handle, 150 x 54 mm, grade 304 stainless steel



- > Suitable for sliding timber doors
- > Glue fixing
- > Grade 304 stainless steel
- > Order qty: 1 pc

Finish	Cat. No.
Satin stainless steel	903.07.270