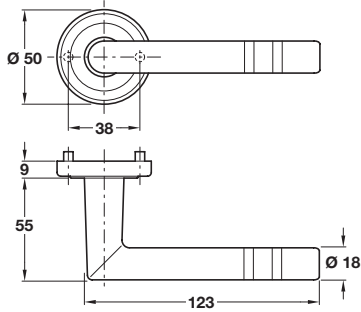


**Startec IONA straight lever handles, brass**

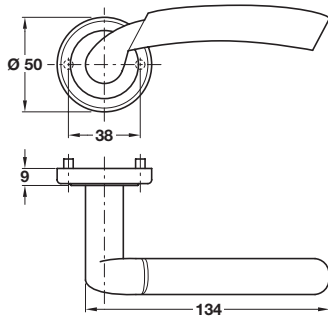


- > Pair of lever handles and 'euro-fix' roses
- > Grub screw fixing on 8 mm spindle
- > Sprung, for use with standard duty followers
- > To suit doors 35-44 mm thick
- > Brass
- > Order qty: 1 pair



|                           |            |
|---------------------------|------------|
| Finish                    | Cat. No.   |
| PVD satin/polished nickel | 900.29.026 |

**Startec ESPRIT shaped lever handles, brass**

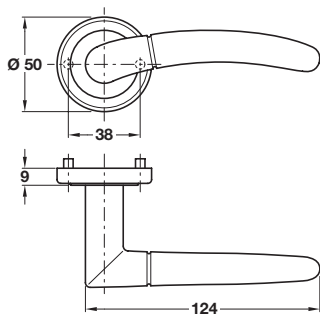


- > Pair of lever handles and 'euro-fix' roses
- > Grub screw fixing on 8 mm spindle
- > Sprung, for use with standard duty followers
- > To suit doors 35-44 mm thick
- > Brass
- > Order qty: 1 pair



|                           |            |
|---------------------------|------------|
| Finish                    | Cat. No.   |
| PVD satin/polished nickel | 900.29.616 |

**Startec SELINA shaped lever handles, brass**



- > Pair of lever handles and 'euro-fix' roses
- > Grub screw fixing on 8 mm spindle
- > Sprung, for use with standard duty followers
- > To suit doors 35-44 mm thick
- > Brass
- > Order qty: 1 pair



|                           |            |
|---------------------------|------------|
| Finish                    | Cat. No.   |
| PVD satin/polished nickel | 900.29.036 |



Co-ordinating escutcheons and WC/emergency release also available see page 49