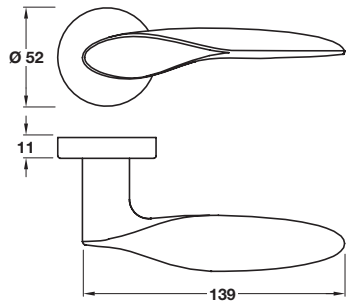
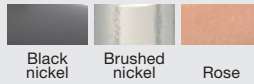


MIMAS lever handles on rose, zinc alloy



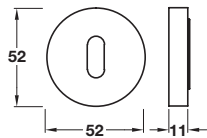
Note: ±3 mm tolerance on dimensions

- > Pair of lever handles on round rose
- > Designed for interior doors
- > Grub screw fixing on 8 mm square split spindle
- > Sprung, for use with standard duty followers
- > To suit doors 35-43 mm thick
- > Zinc alloy
- > Order qty: 1 pair



Finish	Cat. No.
Brushed black nickel	901.21.663
Brushed nickel	901.21.666
Rose coloured	901.21.669

RO12 escutcheons and WC/emergency release and inside turn set



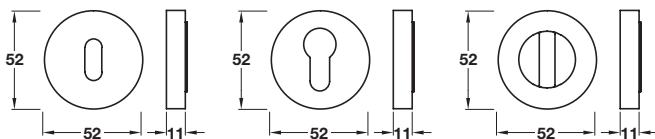
Note: ±3 mm tolerance on dimensions

- > Escutcheons: Fixings included
- > WC/emergency release and inside turn: To suit doors up to 43 mm thick
8 mm spindle and fixings included
- > Zinc alloy
- > Order qty: 1 pair/set*



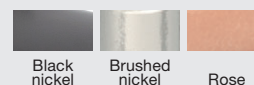
Finish	Standard keyway	Euro profile keyway	WC/release and inside turn*
Brushed black nickel	900.54.943	900.54.963	900.54.953
Brushed nickel	900.54.946	900.54.966	900.54.956
Rose coloured	900.54.949	900.54.969	900.54.959

RO14 escutcheons and WC/emergency release and inside turn set



Note: ±3 mm tolerance on dimensions

- > Escutcheons: Fixings included
- > WC/emergency release and inside turn: To suit doors up to 43 mm thick
8 mm spindle and fixings included
- > Zinc alloy
- > Order qty: 1 pair/set*



Finish	Standard keyway	Euro profile keyway	WC/release and inside turn*
Brushed black nickel	900.54.863	900.54.883	900.54.873
Brushed nickel	900.54.866	900.54.886	900.54.876
Rose coloured	900.54.869	900.54.889	900.54.879