

ARKLES lever handles on plate, zinc alloy

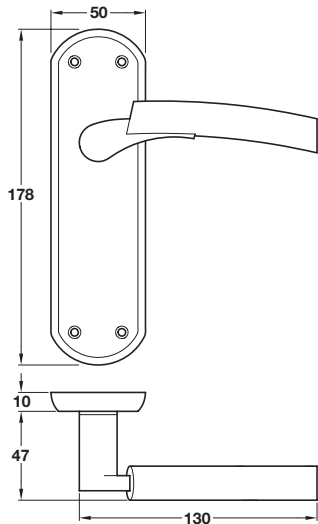


Backplates for latch

Backplates for lever lock



Backplates for bathroom lock



Note: ±3 mm tolerance on dimensions

- > Pair of lever handles on backplate
- > Designed for interior doors
- > Sprung, for use with standard duty followers
- > To suit doors 35-44 mm thick
- > 8 mm square spindle included for lever operation
- > 5 mm spindle also included with bathroom version
- > Zinc alloy
- > Order qty: 1 pair/1 set*

Plain spindle	Fixings included
□	✓

Version	Polished chrome/Satin nickel
Backplates for latch	
Cat. No.	901.78.338
Backplates for lever lock	
Cat. No.	901.78.339
Backplates for bathroom lock*	
Cat. No.	901.78.340



Co-ordinating levers on round roses are shown on page 71