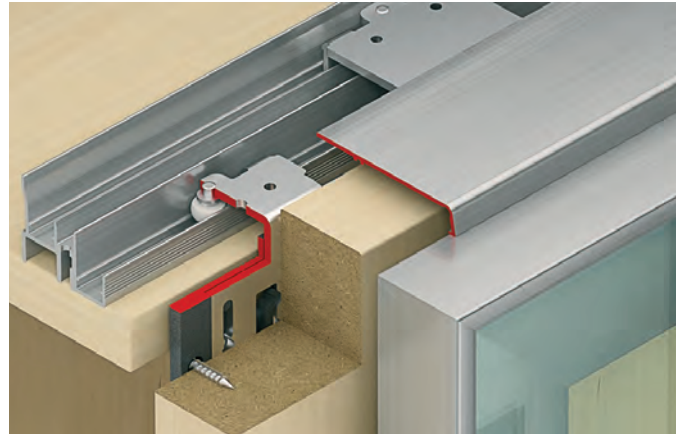


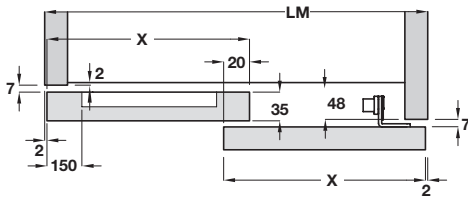
# EKU-COMBINO 45 H GR FORSLIDE SLIDING DOOR SYSTEM

For bottom-running wooden and aluminium framed doors. The aluminium door is always at the front with one or two wooden doors running on the rear track. Suitable for residential and high end commercial applications such as hotel rooms.

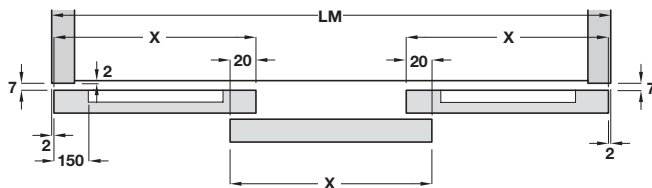
- > EKU-COMBINO 45 H GR Forslide
- > For glass doors: Cut profiles to mitre, assemble with frame fixing angles and fasten with screws
- > Range:
  - Maximum door weight **45 kg**
  - For **4 mm** glass and max. **35 mm** door thickness
  - Max. door width **1400 mm**
  - Max. door height **2400 mm**
- > Height adjustment +4/-2 mm on running gear
- > Simple construction of aluminium frame door
- > Fixings and assembly instructions included
- > EKU soft close system can be ordered separately, shown on pages **34-35**



### Door overlay

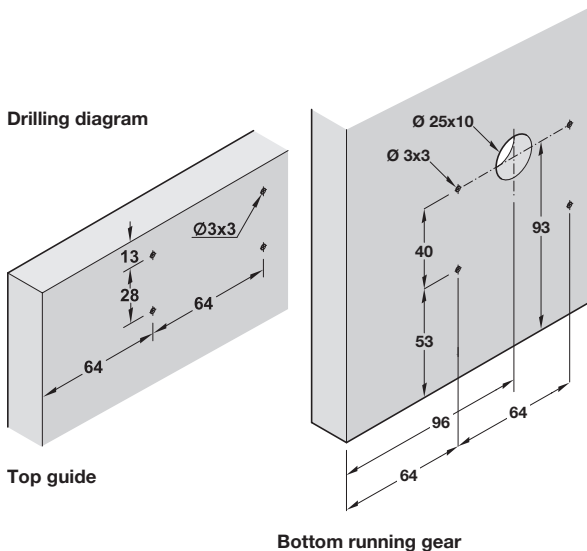


Door width =  $(LM+16)/2$



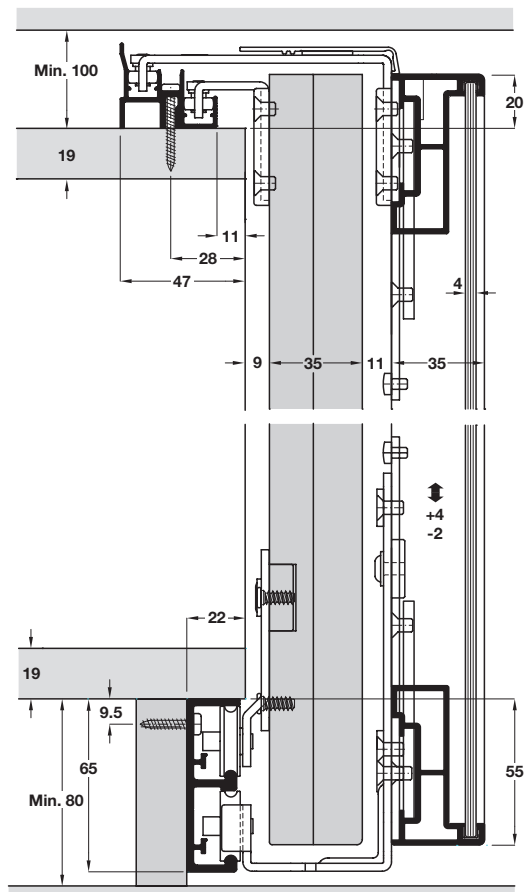
Door width =  $(LM+36)/3$   
 X = Door width, LM = Total width

### Drilling diagram



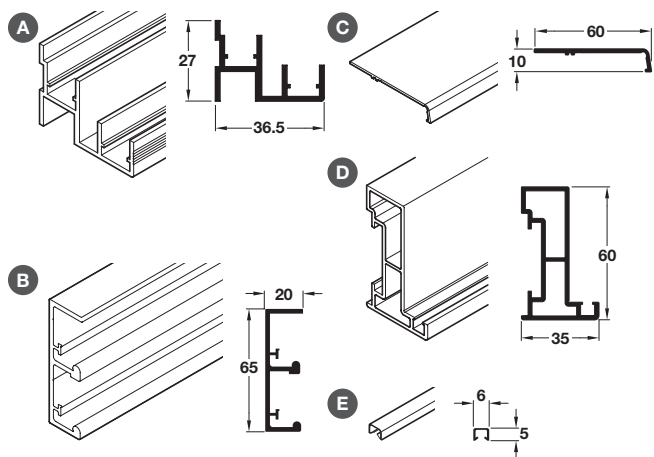
Top guide

Bottom running gear



- > Rails, tracks and fitting sets must be ordered separately, shown on page **11**

## EKU-COMBINO 45 GR Forslide tracks and profiles



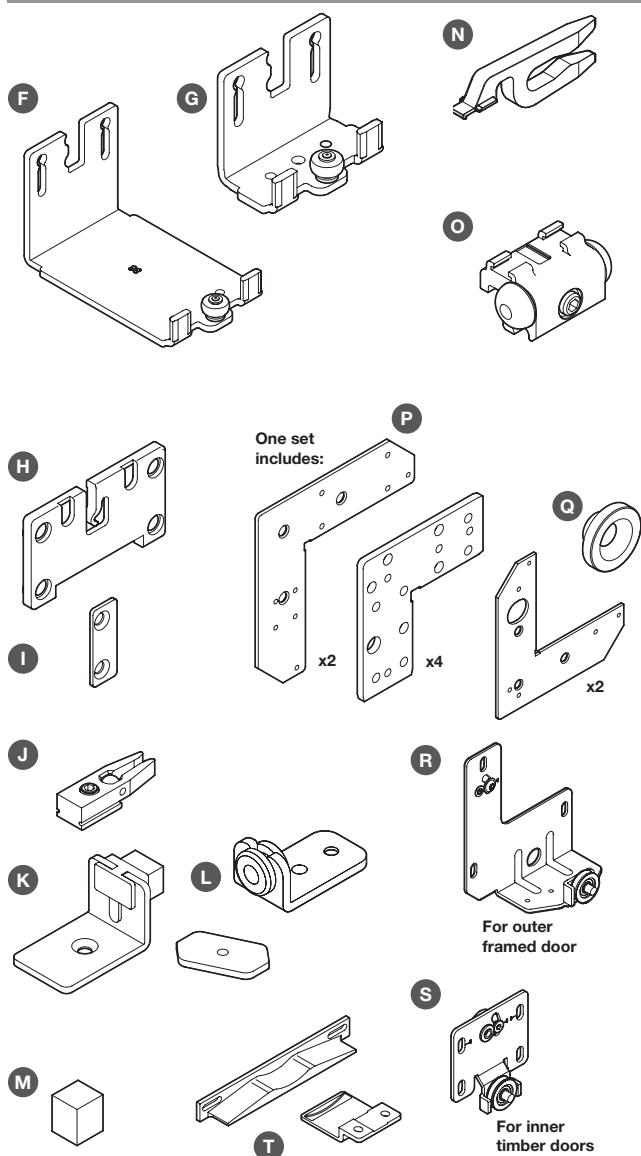
> Order tracks separately

- A Dual top guide rail, screw fixing, bright aluminium
- B Double bottom running track, screw fixing, anodised aluminium
- C Cover profile, clip on, anodised aluminium
- D Frame profile, screw fixing, anodised aluminium
- E Glass fixing profile, grey plastic

> Order qty: 1 pc

Item	2.5 m	3.5 m
A Dual top guide rail	405.52.025	405.52.035
B Double bottom running track	406.31.922	406.31.923
C Cover profile	406.31.912	406.31.913
D Frame profile	401.56.925	401.56.935
E Glass fixing profile	401.65.525	-

## EKU-COMBINO 45 H GR FS fitting sets for 2 or 3 doors



> Fitting set consists of:

- F Top guide for outer door, 55 x 50 x 78 mm, galvanized steel
  - G Top guide for inner door, 44 x 50 x 28 mm, galvanized steel
  - H Mounting fixing plate for inner door, 44 x 78 x 6 mm, anthracite grey plastic
  - I Fixing plate for mounting top guide to outer door, anthracite grey plastic
  - J Guide stopper for top track, 9 x 35 x 11 mm, grey plastic
  - K Door buffer, screw fixing, with plate, galvanized steel, grey plastic with foam buffer
  - L Door buffer for third door, grey plastic with black rubber buffer
  - M Buffer for centre door, 15 x 13 x 12 mm, grey foam
  - N Track stopper for bottom running track, 16 x 50 mm, grey plastic
  - O Buffer for bottom running track, 18 x 24 x 20 mm, grey plastic with grey rubber buffer
  - P Frame mounting angle set, for one frame door, galvanized steel
  - Q Centering disc for frame angles, white plastic
  - R Bottom roller for outer framed door, galvanized steel
  - S Bottom roller for inner timber doors, 68 x 82 x 19 mm, galvanized steel
- > Order qty: 1 set
- T Intermediate stop, screw fixing, grey plastic
- > Order qty: 1 pc



Item	For 2 doors	For 3 doors
F Top guide, outer door	2 pcs	2 pcs
G Top guide, inner door	2 pcs	4 pcs
H Mounting fixing plate	4 pcs	6 pcs
I Fixing plate	4 pcs	4 pcs
J Guide stopper	4 pcs	4 pcs
K Door buffer	1 pc	-
L Door buffer	-	2 pcs
M Buffer	-	3 pcs
N Track stopper	2 pcs	3 pcs
O Buffer	4 pcs	4 pcs
P Frame mounting angle set	1 set	1 set
Q Centering disc	6 pcs	6 pcs
R Bottom roller, outer door	1 pair	1 pair
S Bottom roller, inner door	1 pair	2 pairs
Fitting sets	405.91.272	405.91.273
Additional items		Cat. No.
T Intermediate stop		405.93.020



> EKU soft close system can be ordered separately, shown on pages 34-35