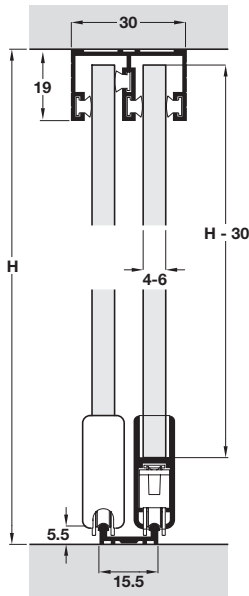


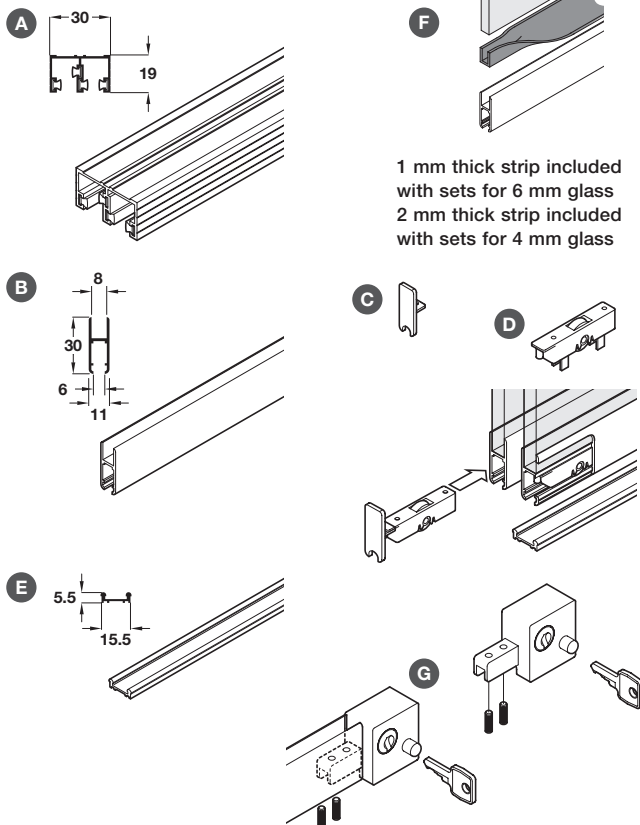
HÄFELE DISPLAY SLIDING GLASS DOOR SYSTEM

Bottom rolling sliding frameless glass panels for applications such as cabinets, reception hatches or display cases.

- > Häfele Display
- > Range:
 - Max. glass panel weight **25 kg**
 - For max. door height **1800 mm**
- > Recommended for 4 or 6 mm thick glass
- > Complete set including lock
- > Glass doors not included



Häfele Display bottom rolling door system for 4-6 mm glass, for 2 doors



> Fitting set consists of:

- A Double top guide profile with brush pile, pre-drilled for screw fixing, silver anodised aluminium
 - B Glass housing profile, silver anodised aluminium
 - C End cap, for housing profile, 29 x 11 mm, black plastic
 - D Bottom roller, fits into housing profile, 45 x 8 mm, white plastic housing, nylon wheel
 - E Double bottom track, pre-drilled for screw fixing, silver anodised aluminium
 - F Glazing strip 1 or 2 mm, to suit 4 or 6 mm glass, black rubber
 - G Glass door lock, right hand, 29 x 17 x 28 mm, 2 keys included, silver zinc die cast
- > Order qty: 1 set

Track length	1.2 m	1.5 m	1.8 m
A Double top guide	1 pc	1 pc	1 pc
B Glass housing profile	2x 616 mm	2x 766 mm	2x 916 mm
C End cap	4 pcs	4 pcs	4 pcs
D Bottom roller	4 pcs	4 pcs	4 pcs
E Double bottom track	1 pc	1 pc	1 pc
F Glazing strip	1 pc	1 pc	1 pc
G Glass door lock	1 pc	1 pc	1 pc
For 4 mm thick glass	415.18.001	415.18.003	415.18.005
For 6 mm thick glass	415.18.002	415.18.004	415.18.006

TCH AH 2016. © Häfele U.K. Ltd 2016. Dimensional data not binding. We reserve the right to alter specifications without notice.

PAGE AMENDED
15.06.18/4