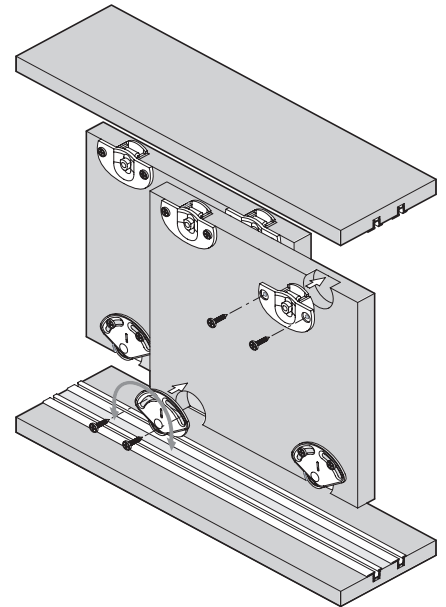
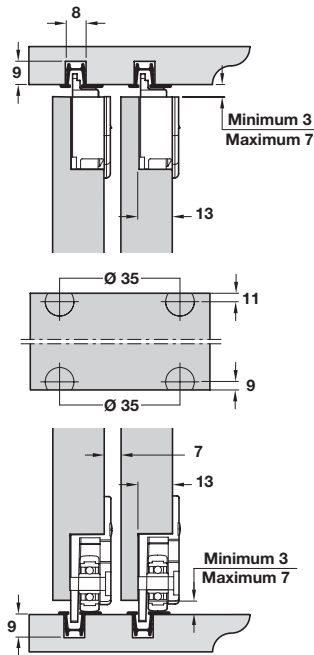
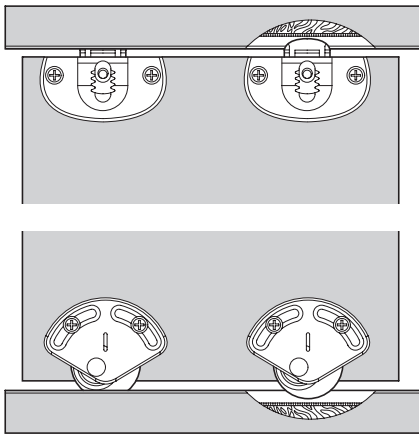



# HÄFELE SYSTEM 7 BOTTOM ROLLING SYSTEM

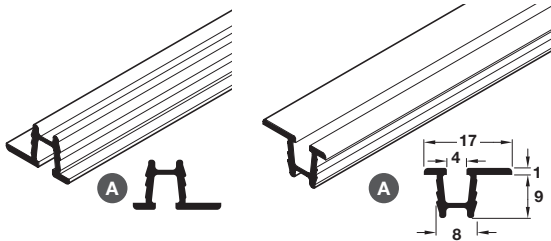
Straight sliding bottom rolling inset cupboard doors, for budget domestic or medium-duty commercial furniture.

- > Häfele System 7
- > Range:
  - Max. door weight **43 kg**
  - Min. door thickness **16 mm**



 > Tracks and fitting sets must be ordered separately, shown below

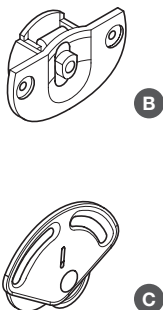
## Häfele System 7 Infront tracks and channels



- > Reversible track channel, press fit
- > Silver anodised aluminium
- > Order qty: 1 pc

Item	3.0 m
A Reversible track channel	404.53.930

## Häfele System 7 Infront fitting sets



- > Fitting set for one door
- B Top guide, 38 x 62 x 15 mm, black nylon
- C Bottom roller, height adjustable, 50 x 62 x 15 mm, double ground ball bearings, nylon roller with Delrin covered wheels
- > Order qty: 1 set (order 1 set per door)



Item	For 1 door
B Top guide	2 pcs
C Bottom roller, height adjustable	2 pcs
Cat. No.	404.52.300